

## TriStar J18 Gen 3 Turnstiles

Stainless steel bi-directional waist height turnstiles

The TriStar J18 Gen 3 bi-directional waist height turnstiles have a wide range of applications for security and access control. Designed for use in high volume traffic areas to control pedestrian access, these turnstiles have an average throughput of 25 people per minute making them suitable for the largest buildings and high flow traffic. The cabinet is made from 304 stainless steel (316SS available as an option) and can be used indoor or outdoor and its new elegant design yet robust build makes it suitable for office entry, sports centres, canteen and public buildings.+



The TriStar J18 GEN3 waist height turnstiles features highly visible illuminated indicators showing the card has been accepted. A memory input remembers how many cards are presented and doesn't lock the turnstile until all users recorded have passed through the turnstile.

Compatible with any type of access control reading device such as Bar code QR code readers, RFID, NFC and Bluetooth which be installed inside the turnstile.

Also compatible with any fire alarm or other emergency system the J18 GEN3's active arm automatically drops allowing fast exit from the building. Once the emergency is over the arm automatically reverts to the closed position ready to resume normal operation.

The DC brushless motor allows the rotation speed to be adjusted and conveniently turns arm after a gentle push ensuring a smooth operation.

The turnstile is free standing, and is installed by bolting to the floor and all electrical cabling is concealed within the frame.

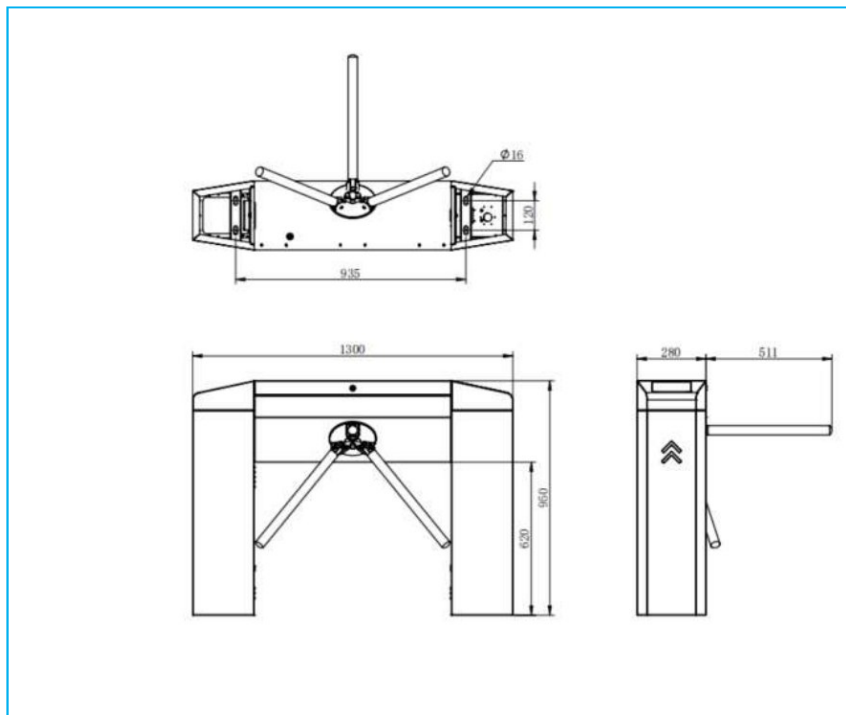
### TriStar J18 GEN3 Turnstile Features

- Easy set up using the LED display.
  - Highly visible indicators to show entry status.
  - The control panel status of all key components.
  - Accurate Arm positioning using the encoder.
  - Multiple input and output ports,
  - When the arm is returning to the default position it slows so that there is no mechanical force on the internal components.
  - Adjustable rotation speed of the arm while entering the turnstile.
  - 4 seconds Arm lock in Force entry
  - Automatic Arm drop for power failure and emergency with A automatically reposition itself when the emergency is over.
  - 304 grade stainless steel
  - RS485 port.
- Optional features**
- Inbuilt up/down counter with battery back up.
  - Ethernet connection.
  - Audible alarm
  - 316 Stainless Steel for Coastal Use

## Technical Specifications

Specification	TriStar J18 GEN3 Turnstiles
Dimensions	1,300 x 280 x 950mm
Throughput	25 users per minute
Channel Width	550 - 600 mm
Duty Cycle	100%
Safety Devices	Arm drops in emergency
Signal time out	Adjustable up to 20 secs
Input Signal	RS485 or TCP/IP and Dry Contact
Power Supply	240vac
Control Voltage	24vdc
Power Consumption	50w
Protection	IP 55
Operating Temperature	- 30°C + 70°C
Working Environment	Indoor/Outdoor
Material	304 Stainless Steel

## Dimensions



Rotech supply all forms of door and gate automation

### Vehicle Access Control

- Booms Gates
- Sliding Gates
- Swing Gates
- Industrial Door Openers
- Solar Powered Gate Openers

### Pedestrian Access Control

- Full Height Turnstiles
- Waist Height Turnstiles
- Supermarket Gates/Turnstiles
- Wheelchair Access Gates
- Rapid Access Gates

**Fast | Safe | Secure**

For more information: t: +61 07 3205 1123 | [www.rotech.com.au](http://www.rotech.com.au) | e: [info@rotech.com.au](mailto:info@rotech.com.au)

V0413