



## TOM5024E

### LINEAR TELESCOPIC OPERATOR

adjustable mechanical stops in opening and closing  
patented FACE gears

bronze release wheel  
personalised release key

**up to 5.0 m**



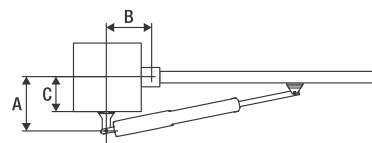
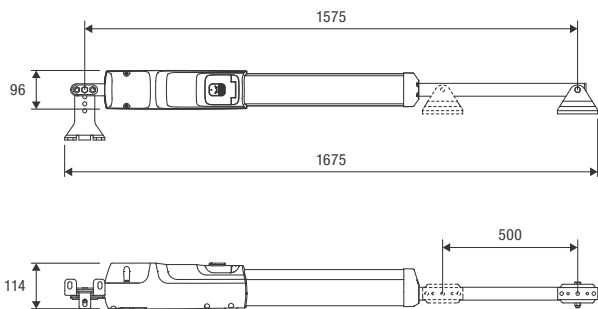
Reliable and innovative gear motor, thanks to the 2 adjustable mechanical stops in opening and closing accessible from above and positioned under the metal cover of the shaft. Available in 230 Vac and 24 Vdc versions. Ideal for the automation of any type of swing gate thanks also to the compact footprints (only 96 mm width) and screw-in brackets. The 45° inclination of the wiring cable allows the distance from the ground to be reduced to a minimum. The rear and front brackets, aligned on the same axis, enable the better distribution of loads by optimizing the lifespan of the actuator. The worm screw protected by wiper ring and stainless steel shaft make it suitable for dusty or sandy environments, or places with aggressive weather conditions.

### 230 Vac

- Irreversible 230 Vac electromechanical gear motor
- Equipped with easily adjustable limit switches in opening and closing and accessible from above

### 24 Vdc | intensive use

- Irreversible 24 Vdc electromechanical gear motor for intensive use equipped with encoder
- The TRUST24 control unit ensures power consumption in standby mode of < 0.8 W
- The encoder guarantees maximum safety and precision while the gate is moving
- Amperometric sensor obstacle detection system to prevent crushing
- Possibility of battery operation



A (mm)	B (mm)	C (mm)
100-272,5	150-250	25-200

**TOM.SR**

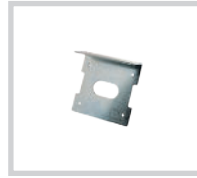
Rear adjustable screw-in bracket.

**DU.V96**

12 Vac/dc vertical electric lock, supplied with counterplate. Permits internal/external release.

**DU.V90**

12 Vac/dc horizontal electric lock, supplied with counterplate. Permits internal/external release.

**DU.9990**

Covering plate for DU.V90.

**E.LOCK**

230 Vac vertical electric lock, supplied with counterplate.

**E.LOCKSE**

Extended cylinder for E.LOCK electric lock. It allows unlocking gates up to 55mm-thick from the outside.

**CABLE.24E**

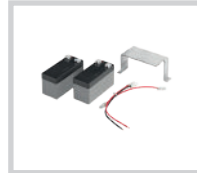
Cable reel with 5 conductors (2 for motor, 3 for encoder) for connecting the encoder device in the 24 Vdc versions. L= 100 m.

**XLB.CB**

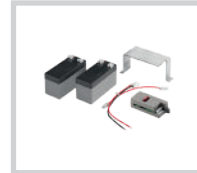
Battery box fitted with universal bracket and cables. IP54.

**DA.LB**

Galvanized column for outdoor installation of LB box.

**BRAINY24.CB-SW**

Accessory equipped with 1.2 Ah batteries and support bracket.

**BRAINY24.CB**

Accessory with CBY.24V battery charger, 1.2 Ah batteries and support bracket.

# ROTECH R Rotech Automation

Vehicle Access Control | Pedestrian Access Control | Safety & Security

OBL Pty Ltd | ABN 41 665 189 435 | Tel +61 07 3205 1123 | Email [info@rotech.com.au](mailto:info@rotech.com.au)

TECHNICAL DATA	TOM50M	TOM5024E*
Motor supply	230 Vac (50-60Hz)	24 Vdc
Max absorbed current	1.3 A	5.5 A
Max Thrust	2000 N	1500 N
Opening time	30"	19"
Duty cycle	30%	intensive use
Max stroke	500 mm	500 mm
Protection level	IP44	IP44
Mechanical stops	YES	YES
Limit switches	YES	NO
Encoder	NO	YES
Operating temperature	-20°C /+50°C	-20°C /+50°C
Leaf max dimension	5 m	5 m
Weight	10.9 kg	9.4 kg
Items no. per pallet	49	49

\* Available in 115 VAC version