

## LOCINOX

## LOCINOX USA



www.locinox.com

HQ: +32 56 77 27 66  
CEE: +48 71 758 21 00

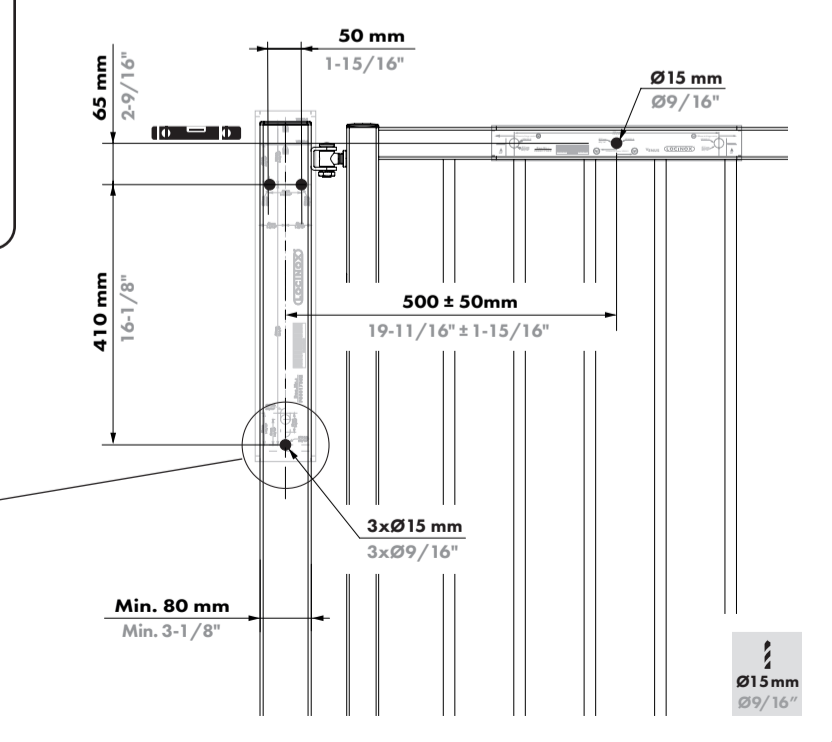
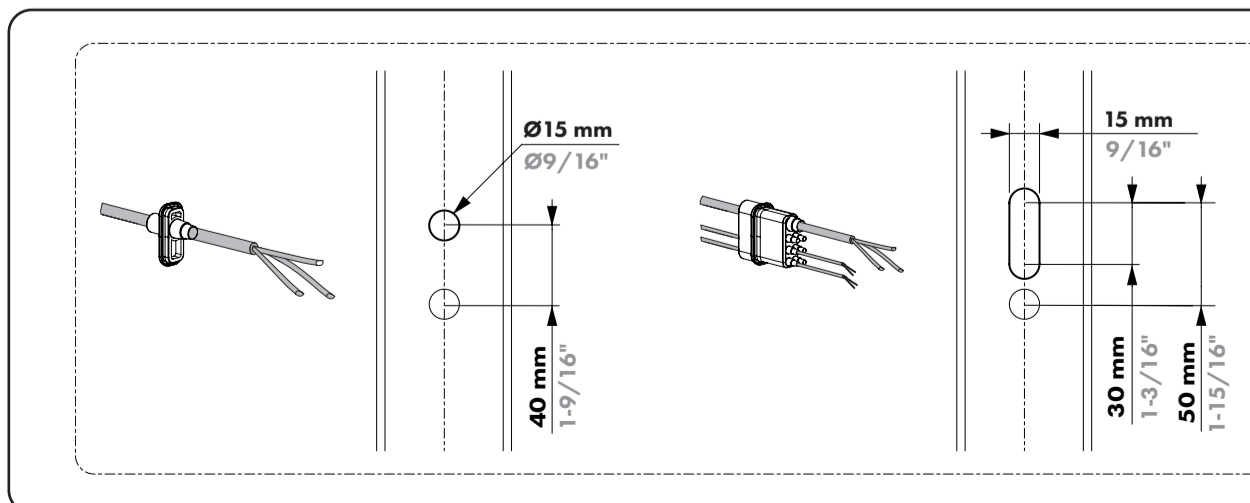
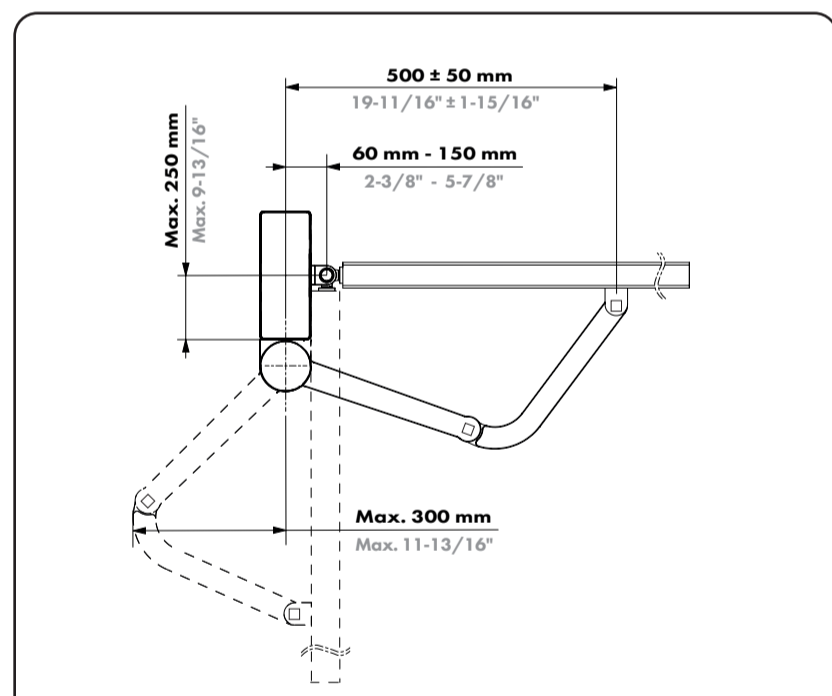
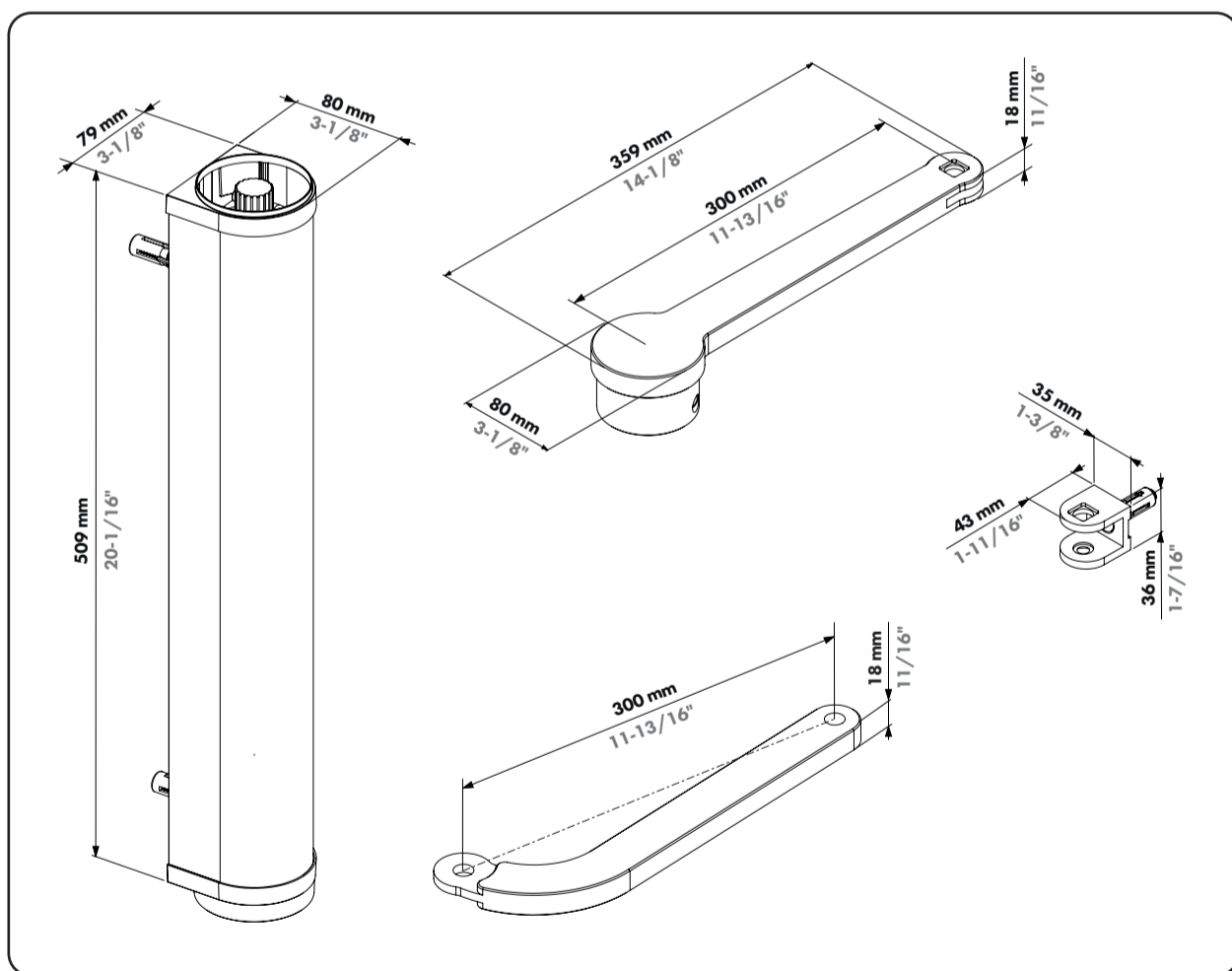
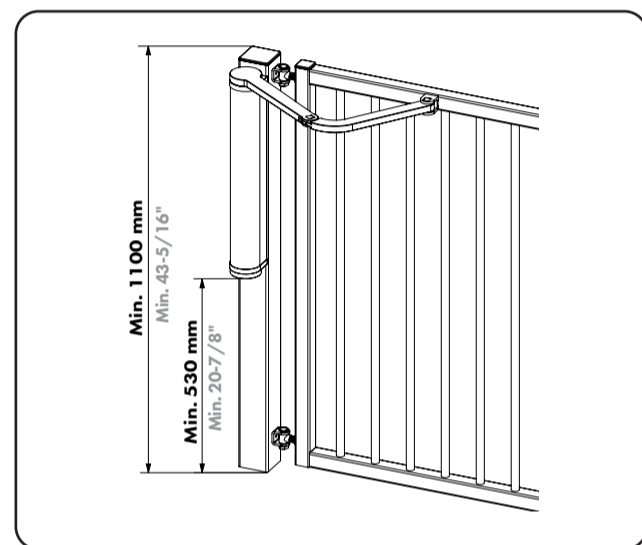
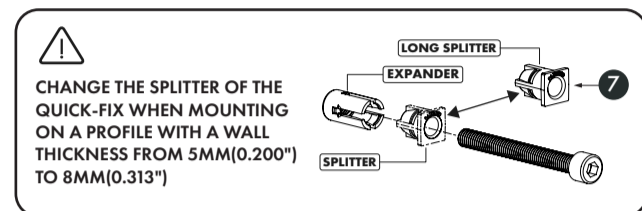
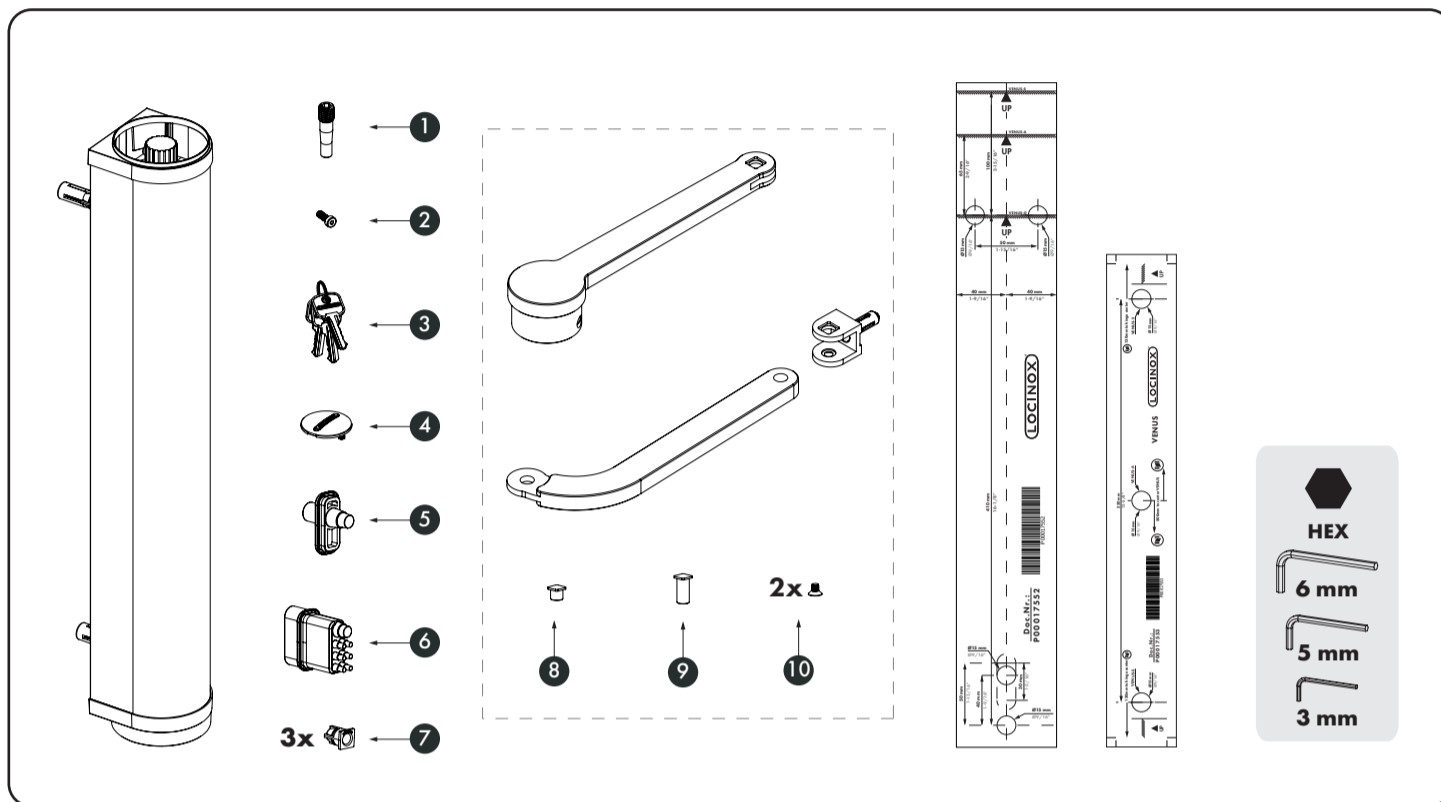
help@locinox.com

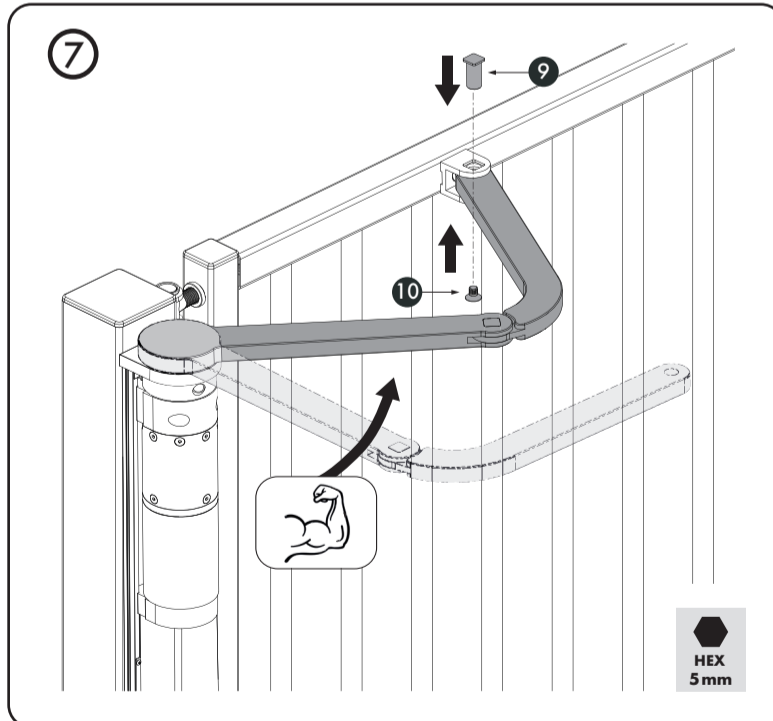
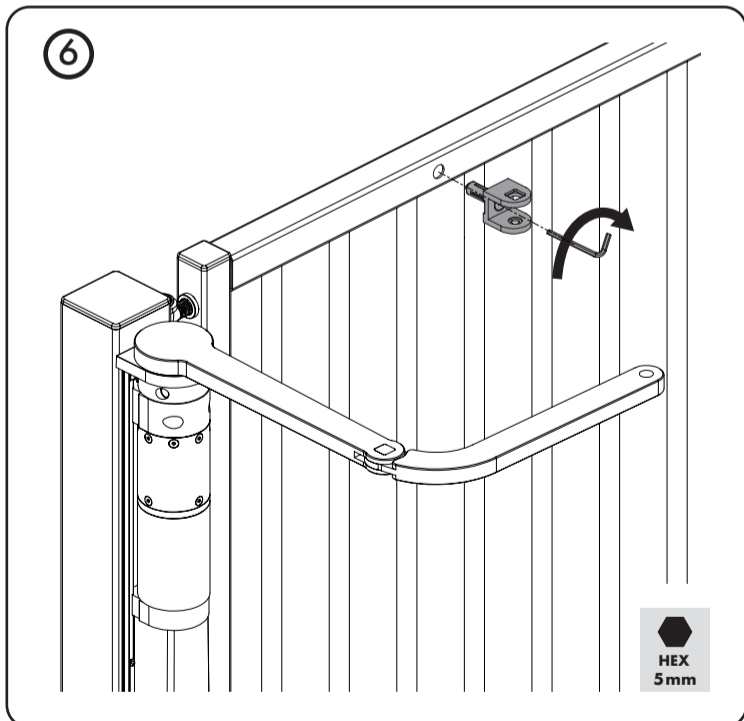
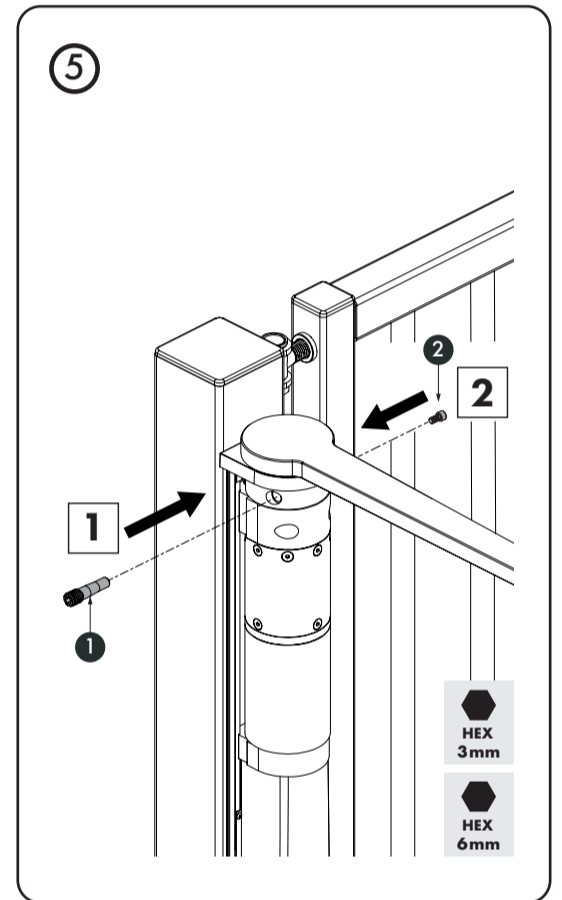
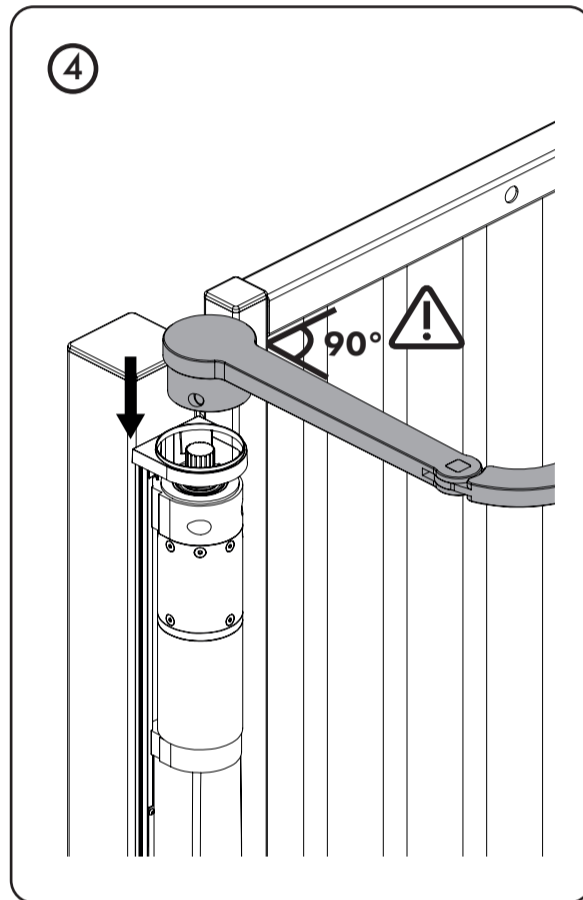
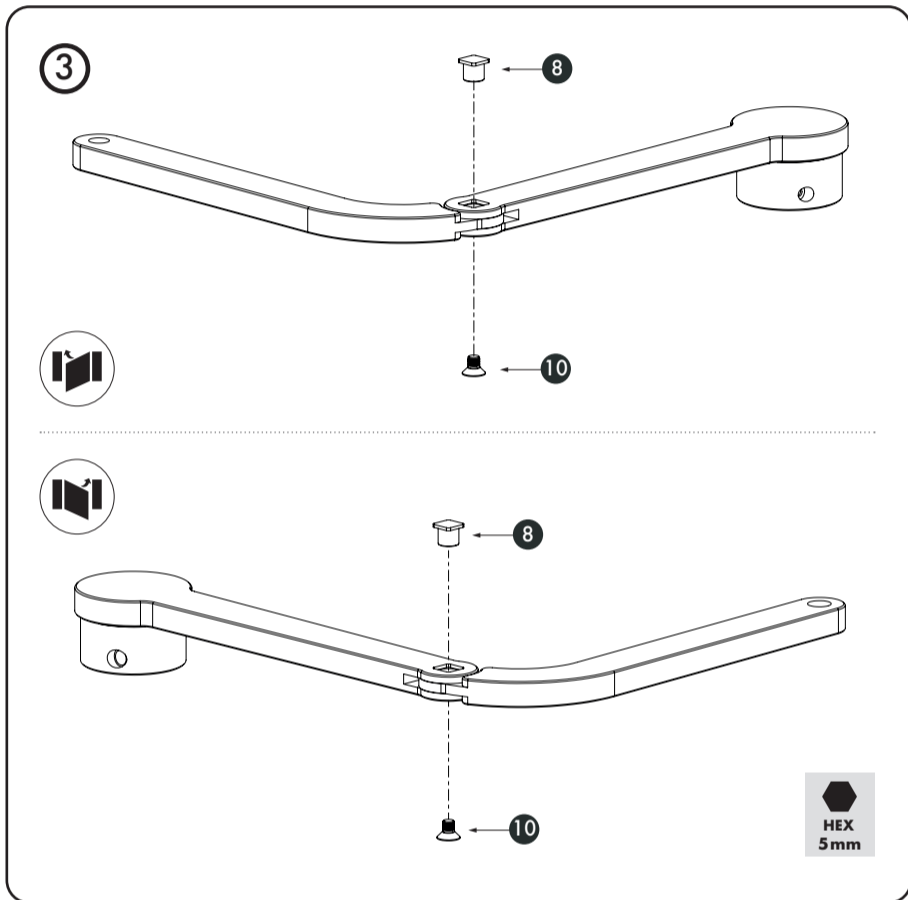
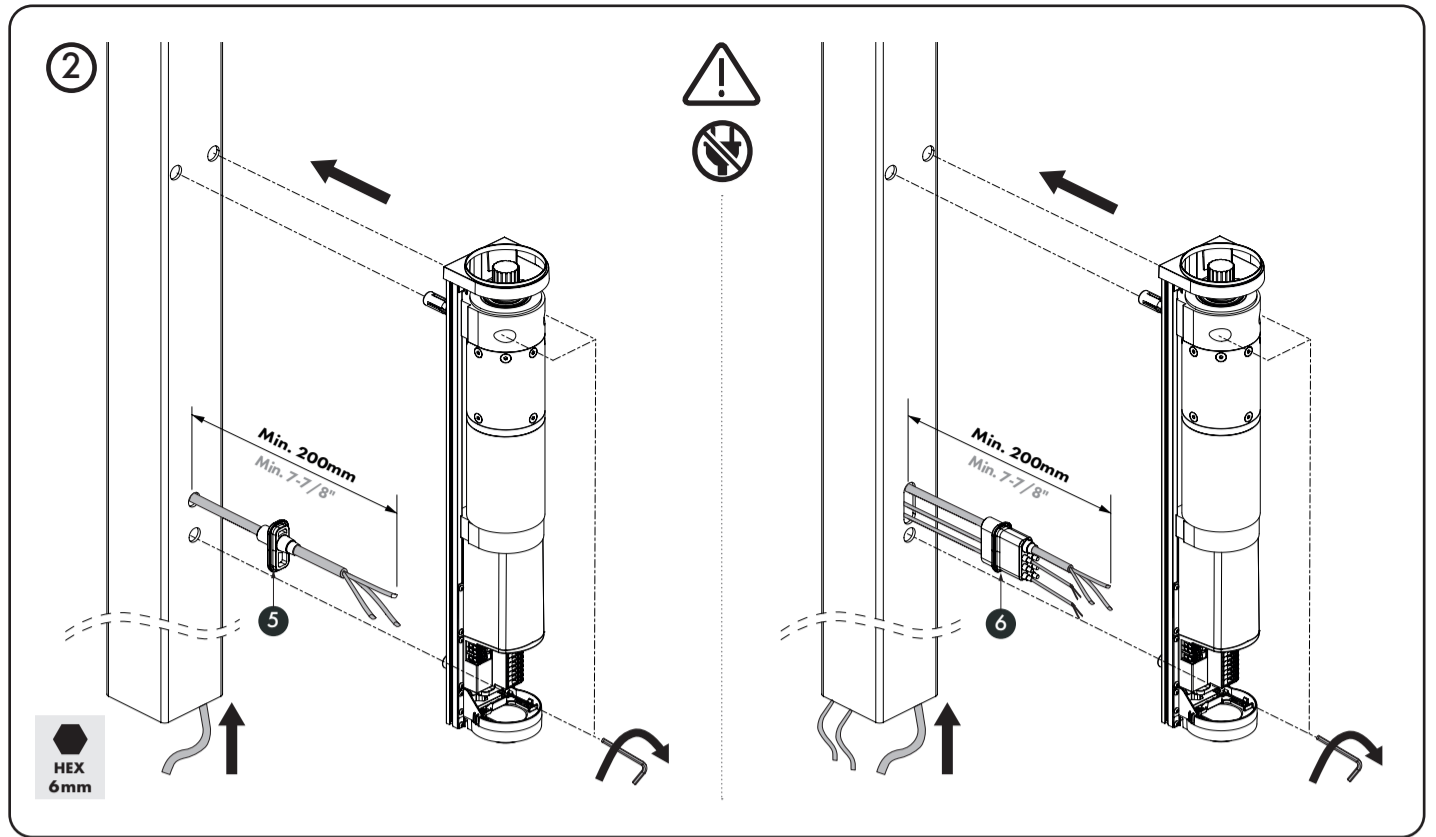
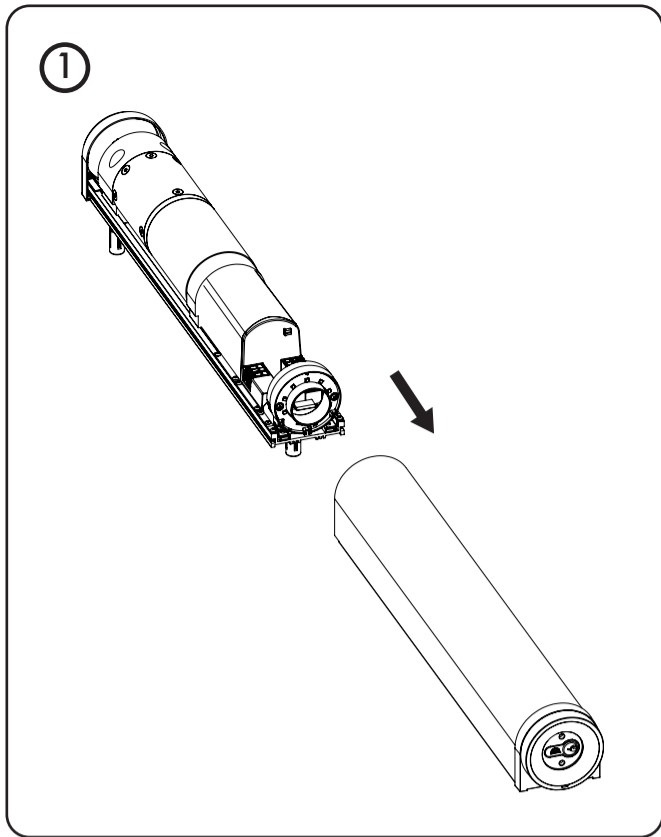


www.locinoxusa.com

877-LOCINOX

helpusa@locinox.com






⑧

Download the app for motor setup  
Téléchargez l'application pour la configuration du moteur  
Download de app voor motorconfiguratie  
Laden Sie die App herunter, um den Motor einzurichten  
Descarga la aplicación para la configuración del motor.  
Pobierz aplikację w celu konfiguracji urządzenia  
Загрузите приложение для настройки двигателя  
Scarica l'app per configurare il motore






**SUCCESSFUL INSTALLATION?**  
Please send us your pictures & videos  
[pictures@locinox.com](mailto:pictures@locinox.com)

**SUCCESVOLLE INSTALLATIE?**  
Stuur gerust uw foto's & video's door


**INSTALLATION RÉUSSIE?**  
Veuillez nous envoyer vos photos & vidéos

**ERFOLGREICHE INSTALLATION?**  
Bitte senden Sie uns Ihre Bilder & Videos


**INSTALACION EXITOSA?**  
Por favor envíenos sus fotos y videos

**UDANA INSTALACJA?**  
Prześlij nam swoje zdjęcia i filmy

**УСПЕШНАЯ УСТАНОВКА?**  
Пожалуйста, отправьте нам свой фотографии и видео


**Let's make it better together**

**Doc. Nr.: P0002237**  
 Locinox NV • Brabantstraat 107 • 8790 Waregem • Belgium  
 Locinox CEE • Irysowa 9 • 55-040 Bielany Wrocławskie • Poland  
 Locinox LLC • 460 Windy Point Drive • Glendale Heights - IL 60139 • USA

  
 P0002237

## LOCINOX

## LOCINOX USA



www.locinox.com

HQ: +32 56 77 27 66  
CEE: +48 71 758 21 00

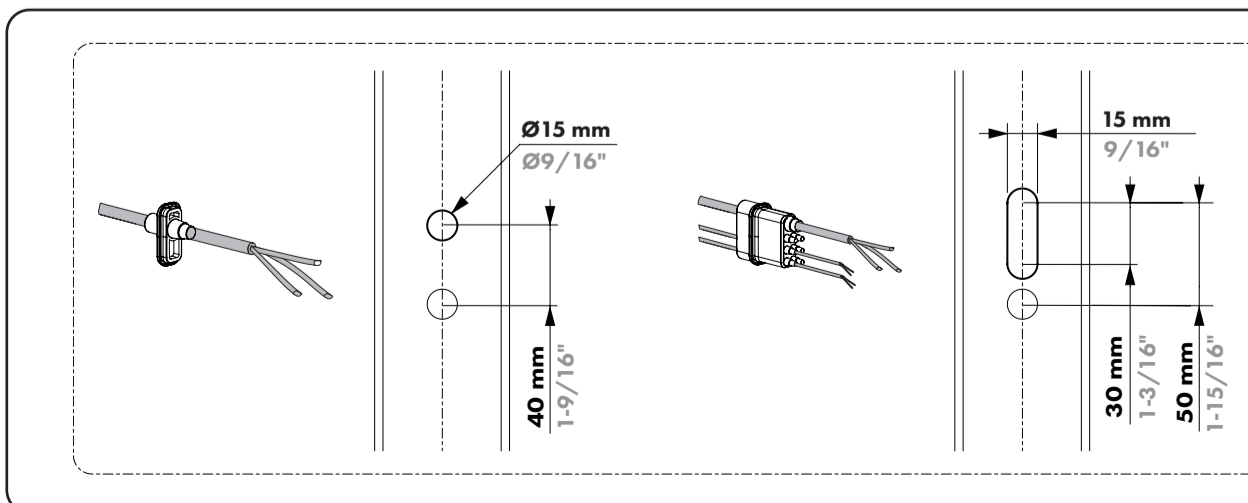
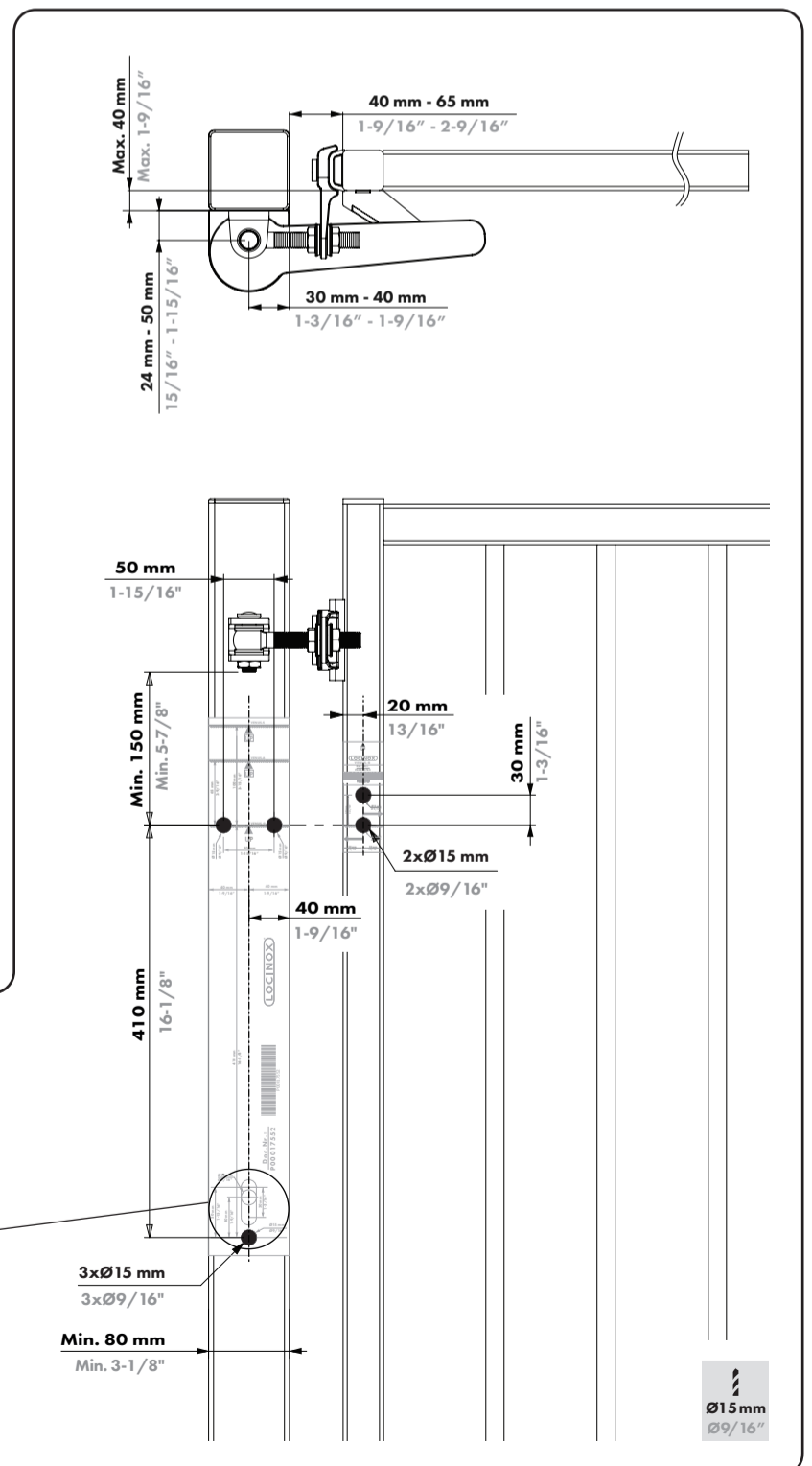
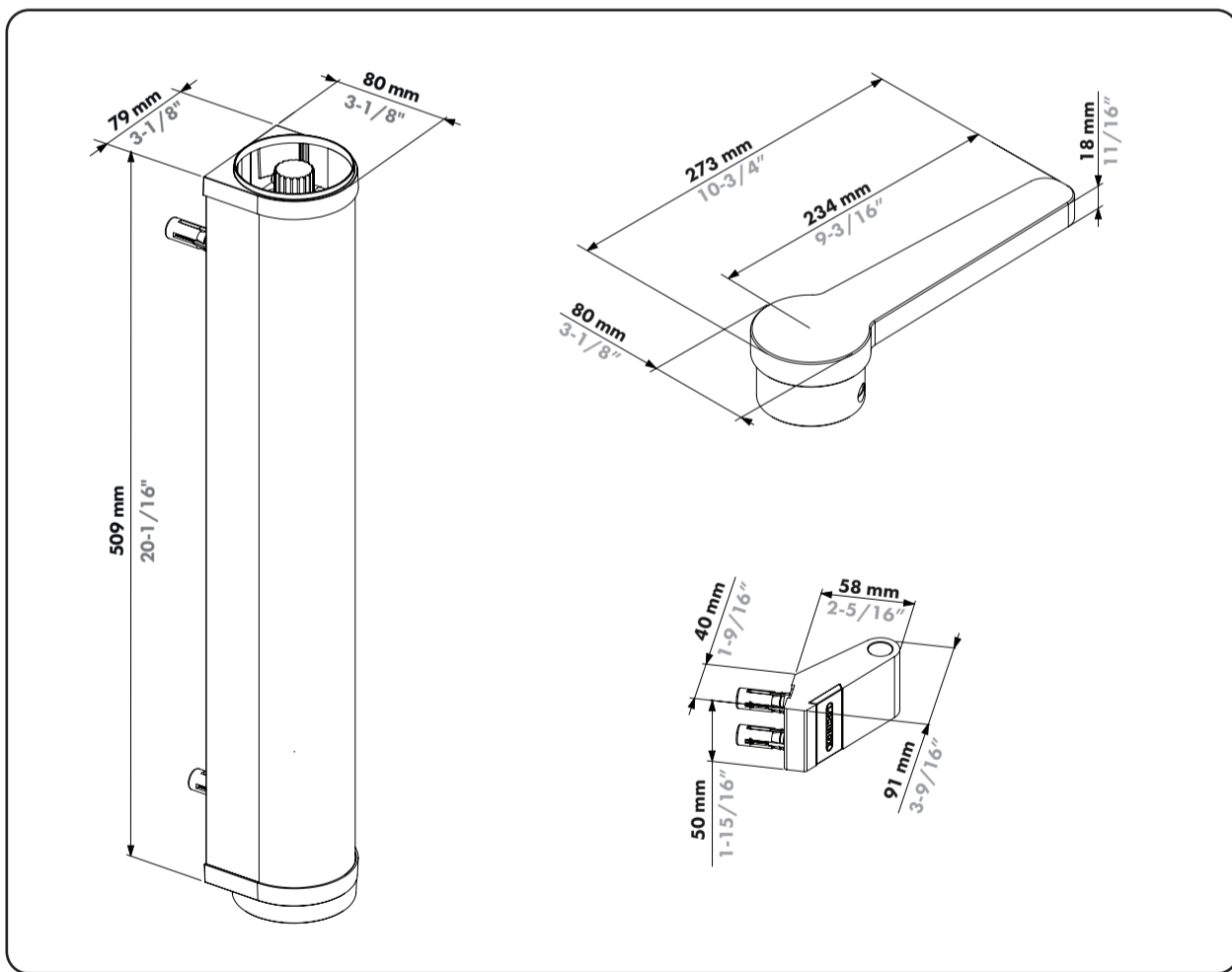
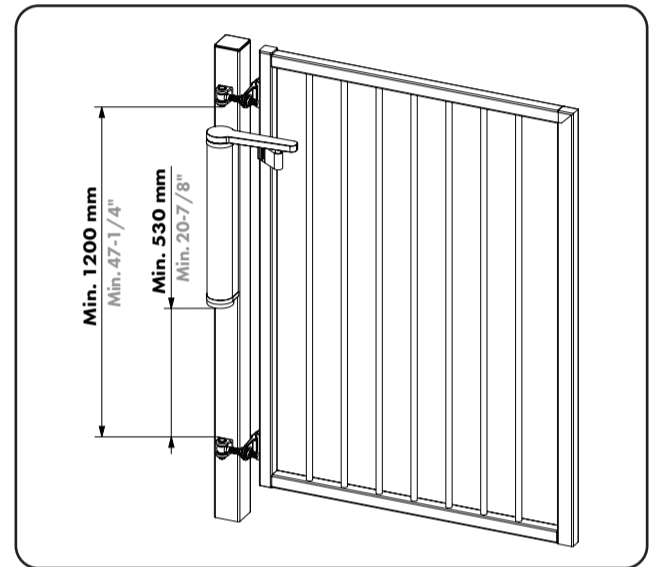
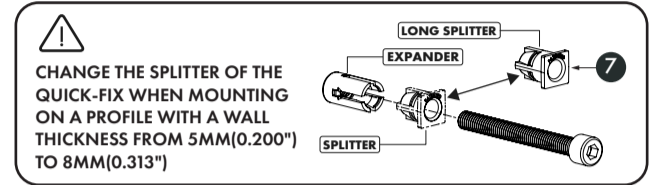
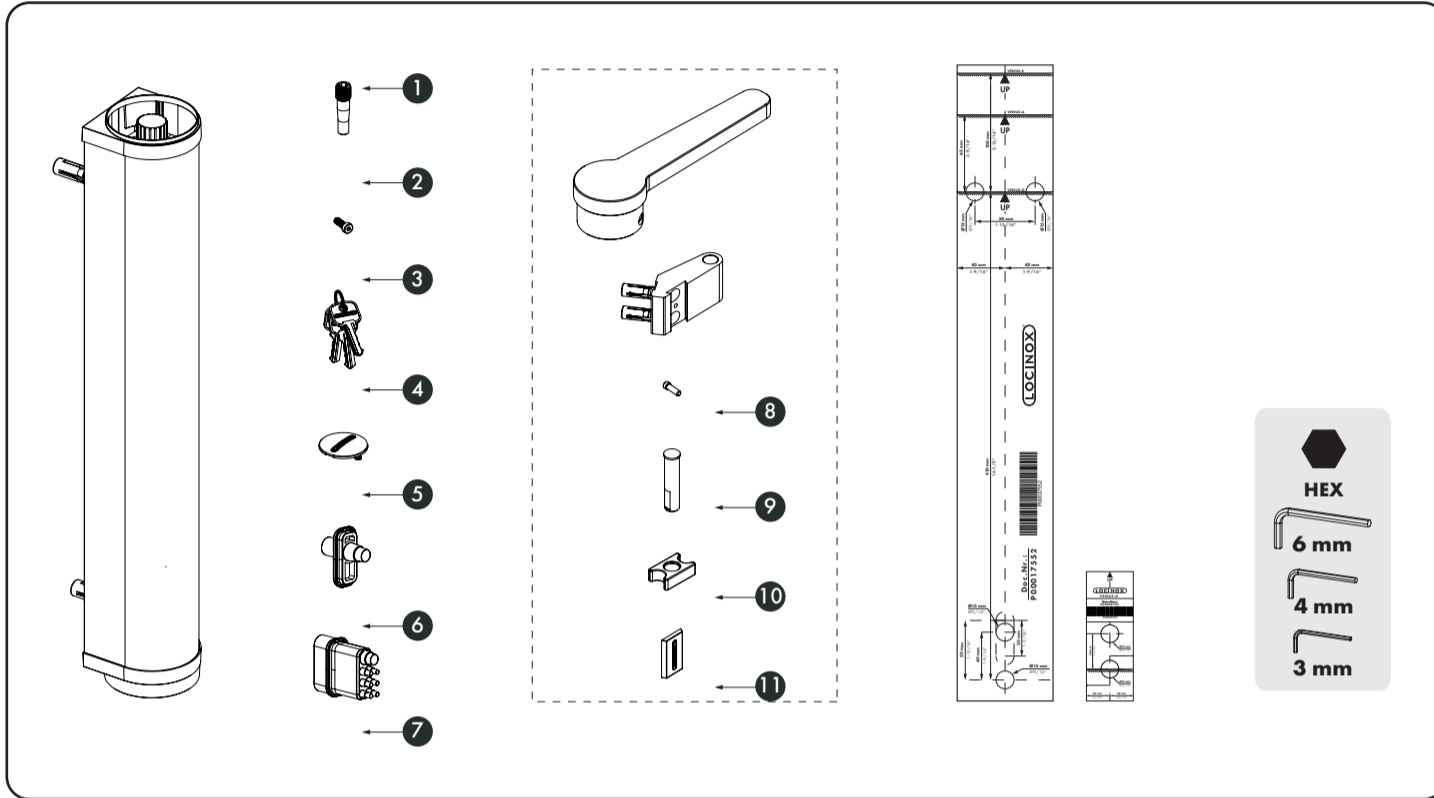
help@locinox.com

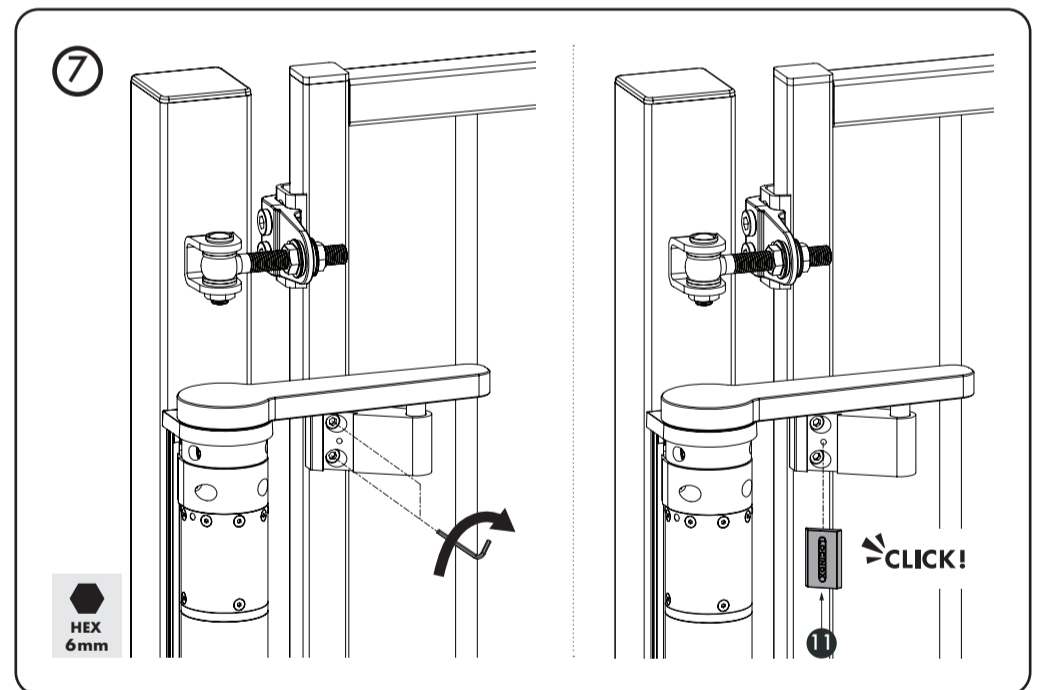
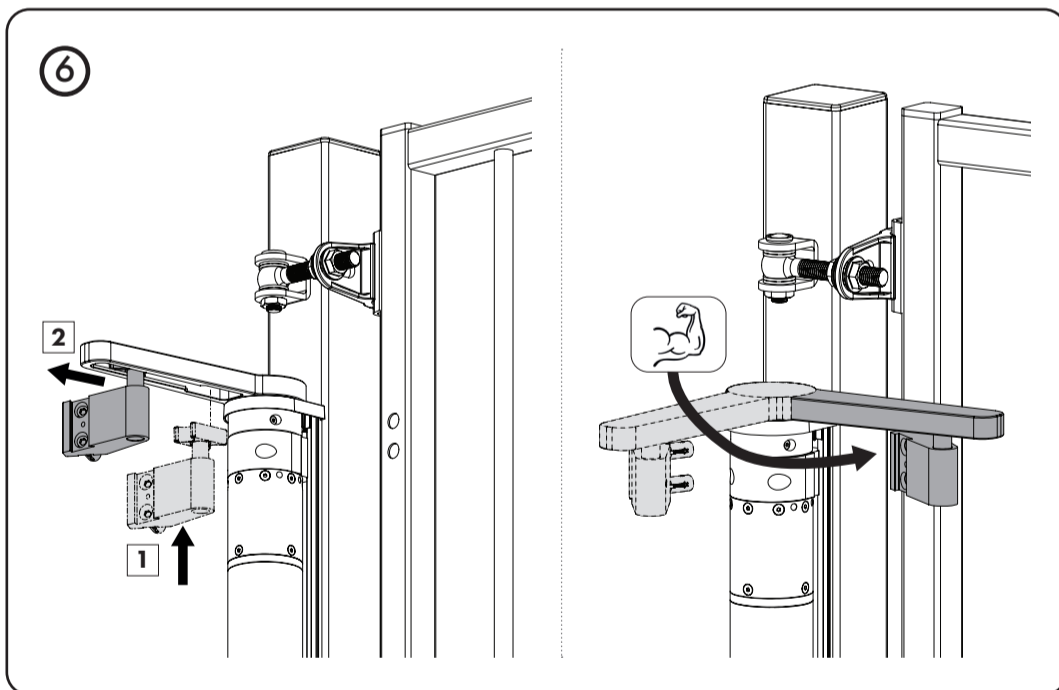
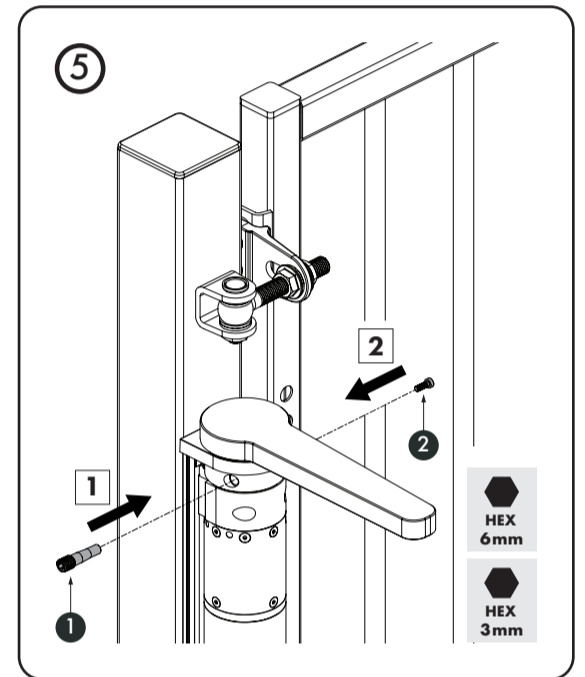
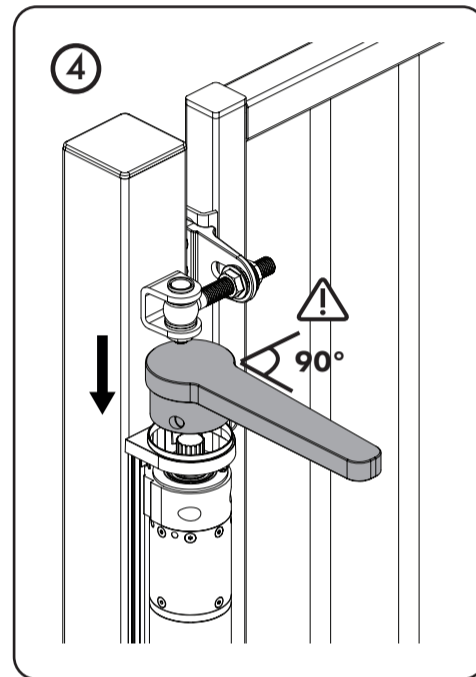
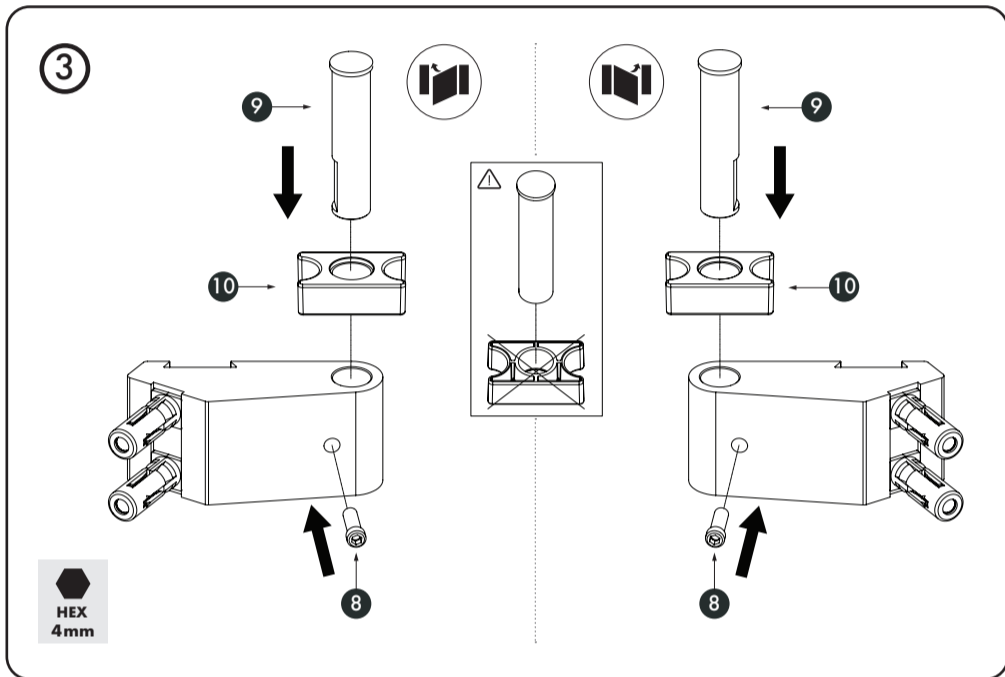
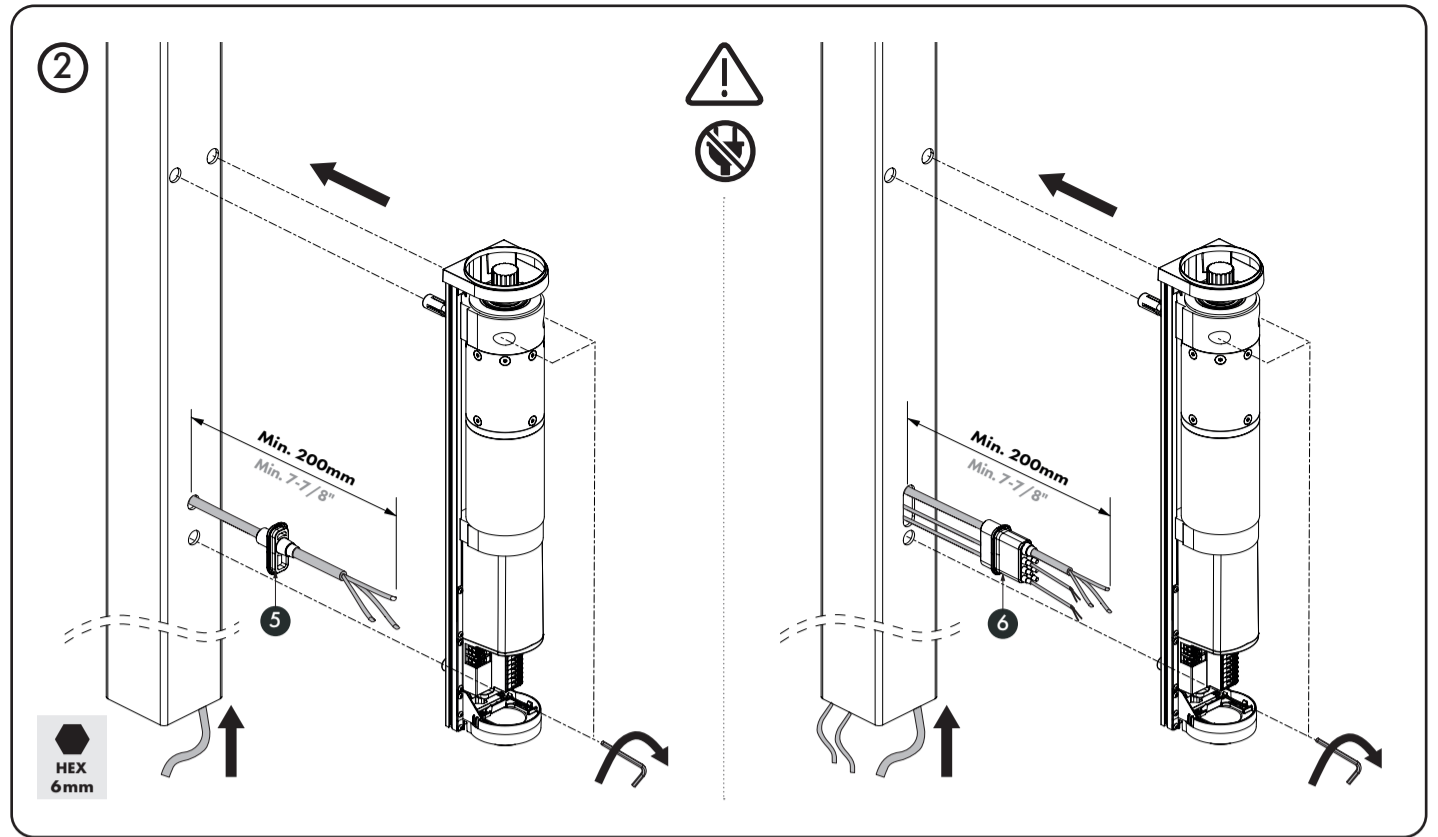
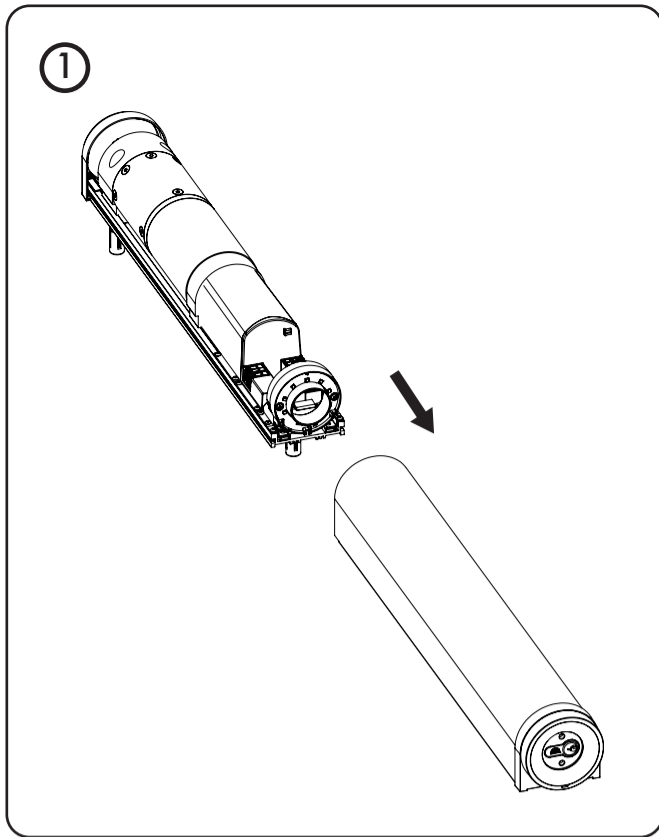


www.locinoxusa.com

877-LOCINOX




helpusa@locinox.com






8

Download the app for motor setup - Téléchargez l'application pour la configuration du moteur - Download de app voor motorconfiguratie - Laden Sie die App herunter, um den Motor einzurichten - Descarga la aplicación para la configuración del motor. - Pobierz aplikację w celu konfiguracji urządzenia - Загрузите приложение для настройки двигателя - Scarica l'app per configurare il motore

 <p><b>SUCCESSFUL INSTALLATION?</b> Please send us your pictures &amp; videos <a href="mailto:pictures@locinox.com">pictures@locinox.com</a></p>	<p><b>SUCCESSVOLLE INSTALLATIE?</b> Stuur gerust uw foto's &amp; video's door</p>	<p><b>INSTALLATION RÉUSSIE?</b> Veuillez nous envoyer vos photos &amp; vidéos</p>	<p><b>ERFOLGREICHE INSTALLATION?</b> Bitte senden Sie uns Ihre Bilder &amp; Videos</p>	<p><b>INSTALACION EXITOSA?</b> Por favor envíenos sus fotos y videos</p>	<p><b>UDANA INSTALACJA?</b> Prześlij nam swoje zdjęcia i filmy</p>	<p><b>УСПЕШНАЯ УСТАНОВКА?</b> Пожалуйста, отправьте нам свой фотографии и видео</p>
---	---	---	--	--	--	---

**LOCINOX**  
Let's make it better together

**Doc. Nr.: P00020776**

Locinox NV • Brabantstraat 107 • 8790 Waregem • Belgium  
Locinox CEE • Irysowa 9 • 55-040 Bielany Wrocławskie • Poland  
Locinox LLC • 460 Windy Point Drive • Glendale Heights - IL 60139 • USA

  
P00020776

## LOCINOX

## LOCINOX USA



www.locinox.com

HQ: +32 56 77 27 66  
CEE: +48 71 758 21 00

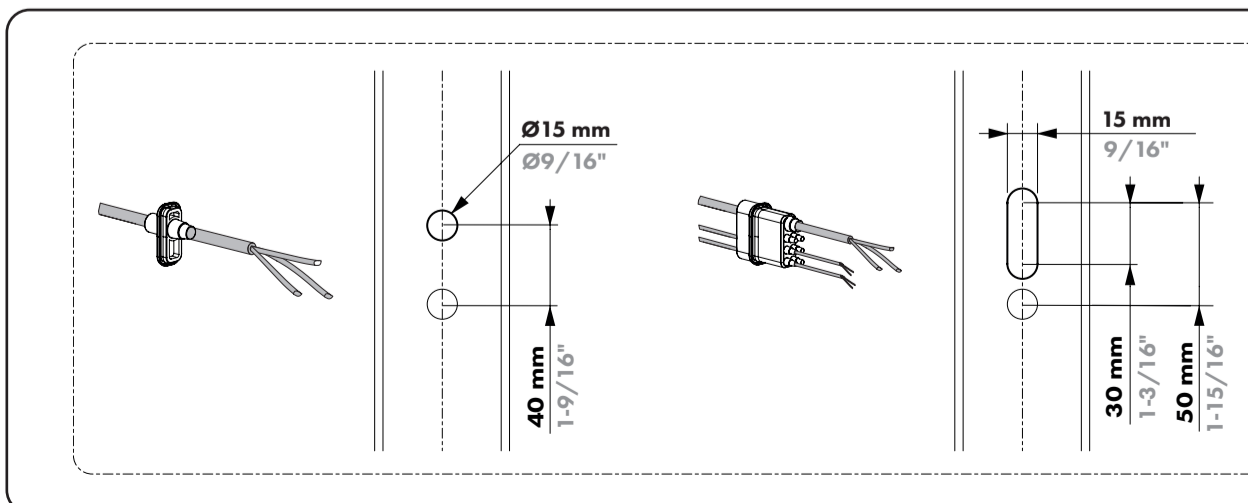
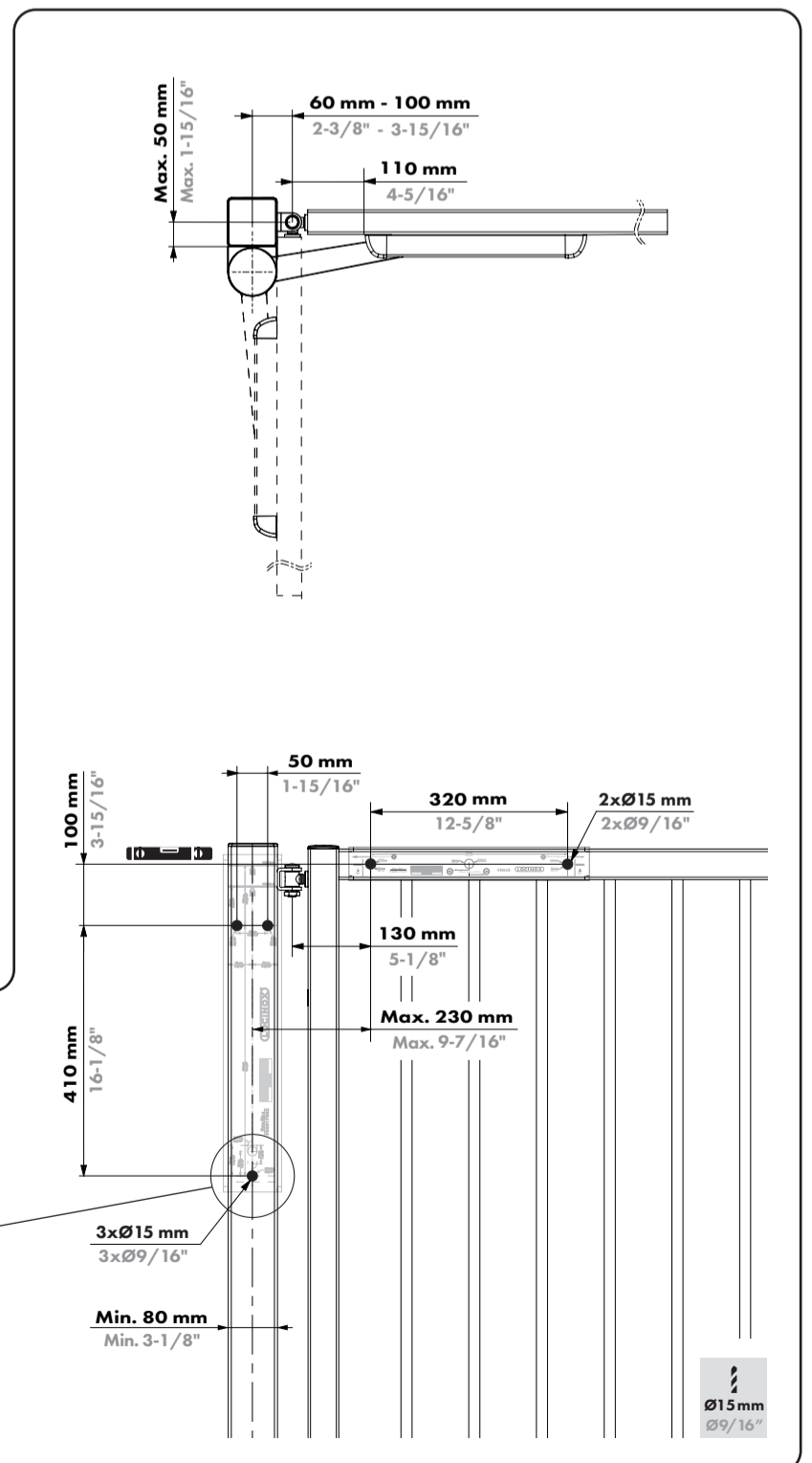
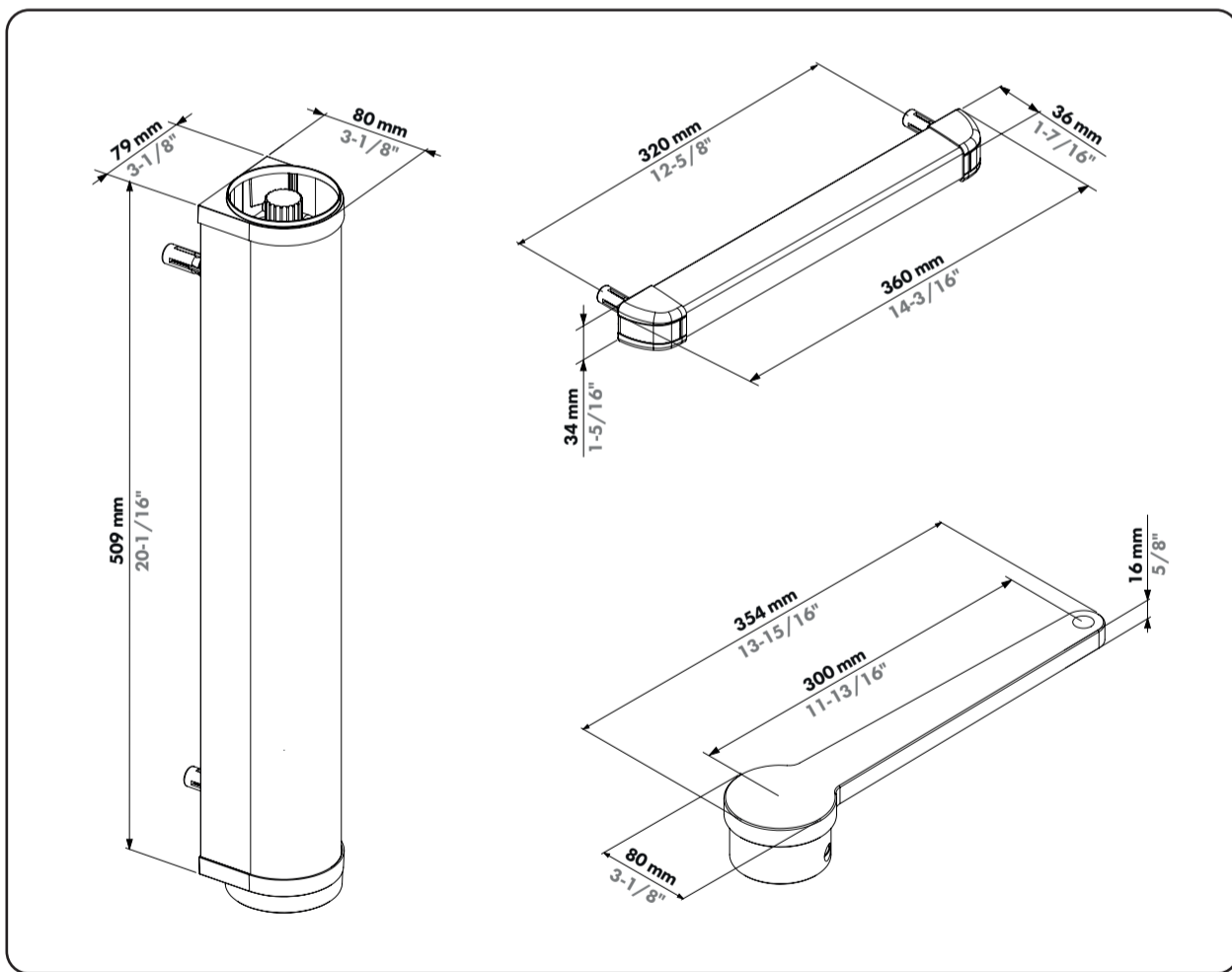
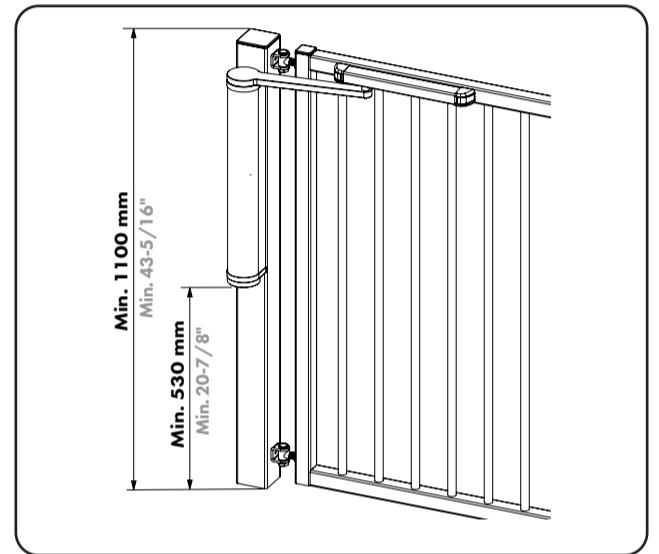
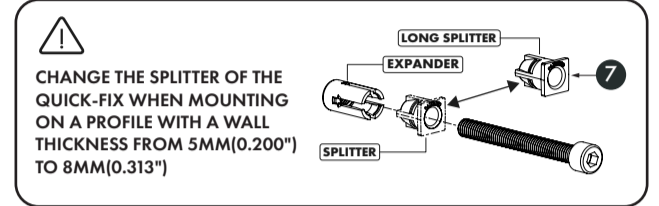
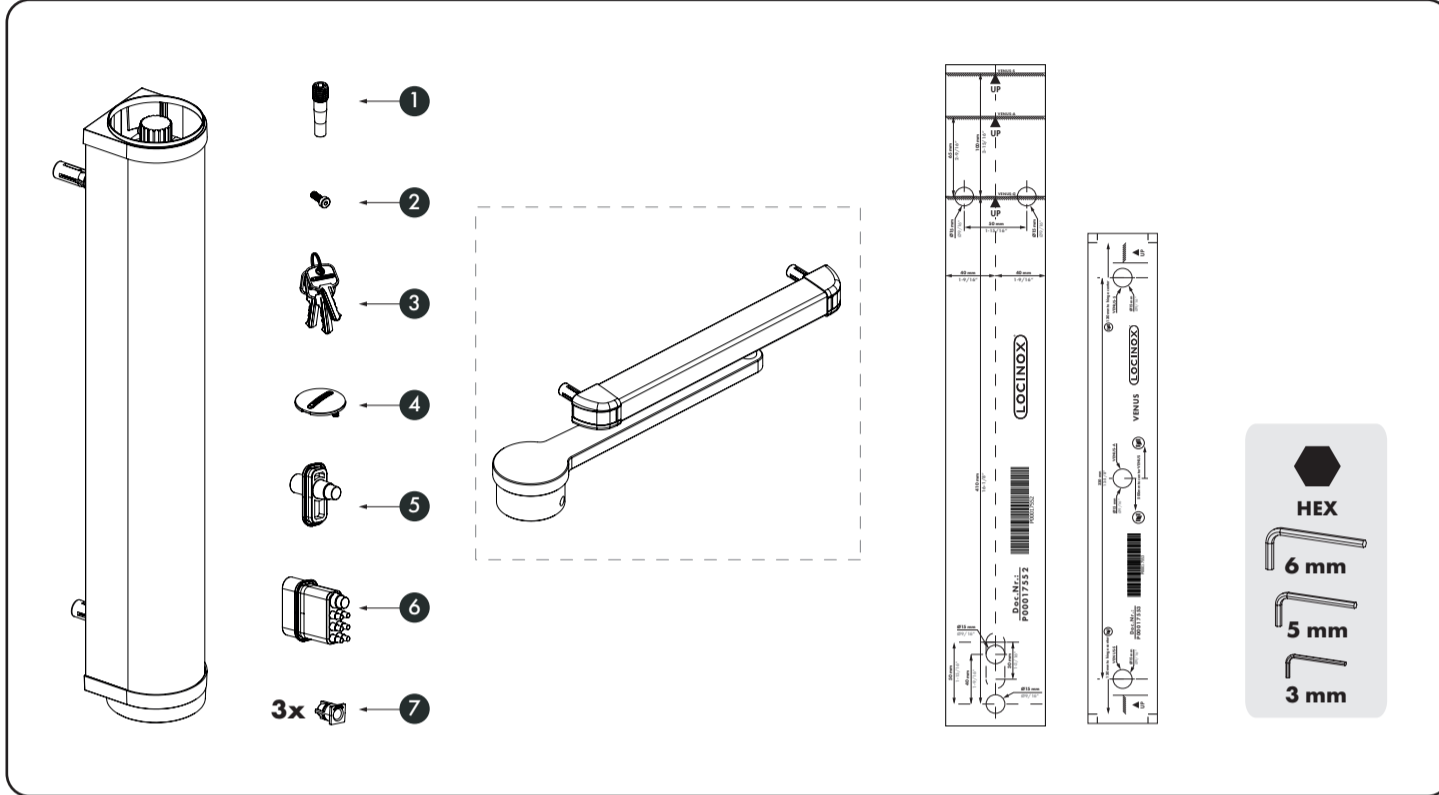
help@locinox.com

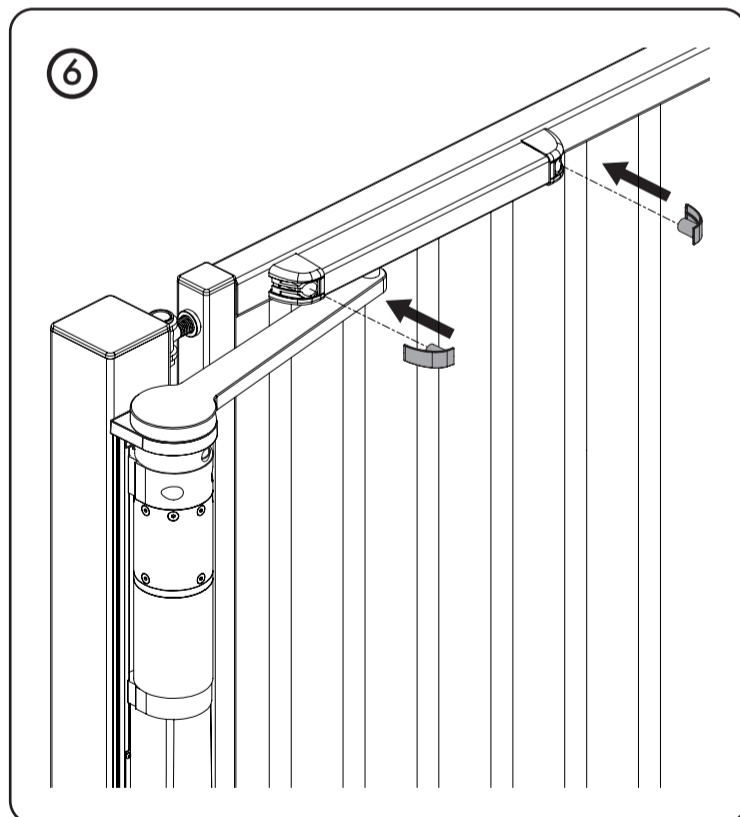
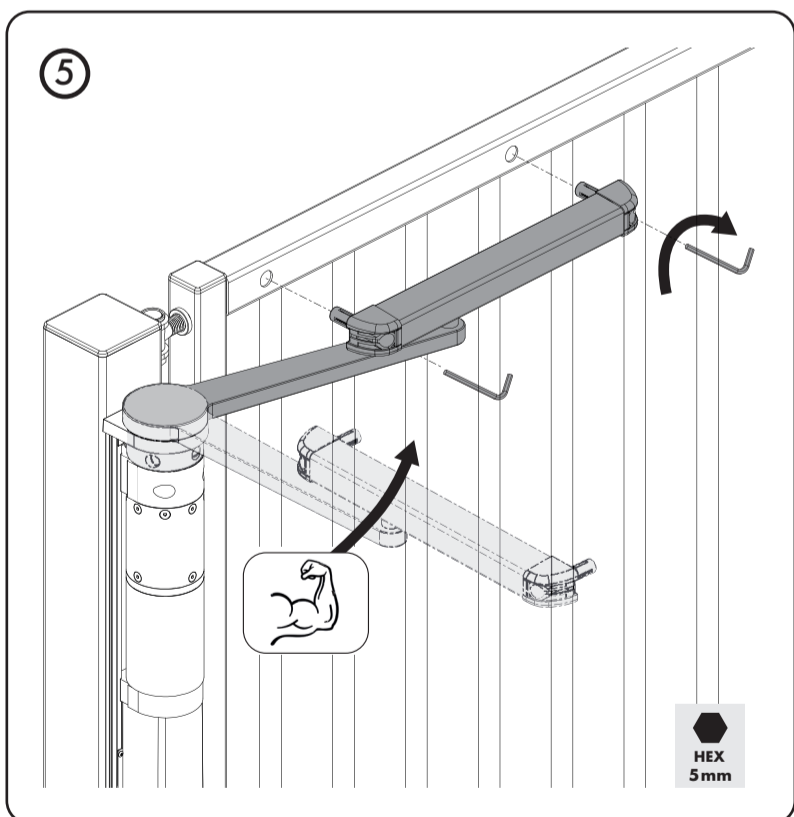
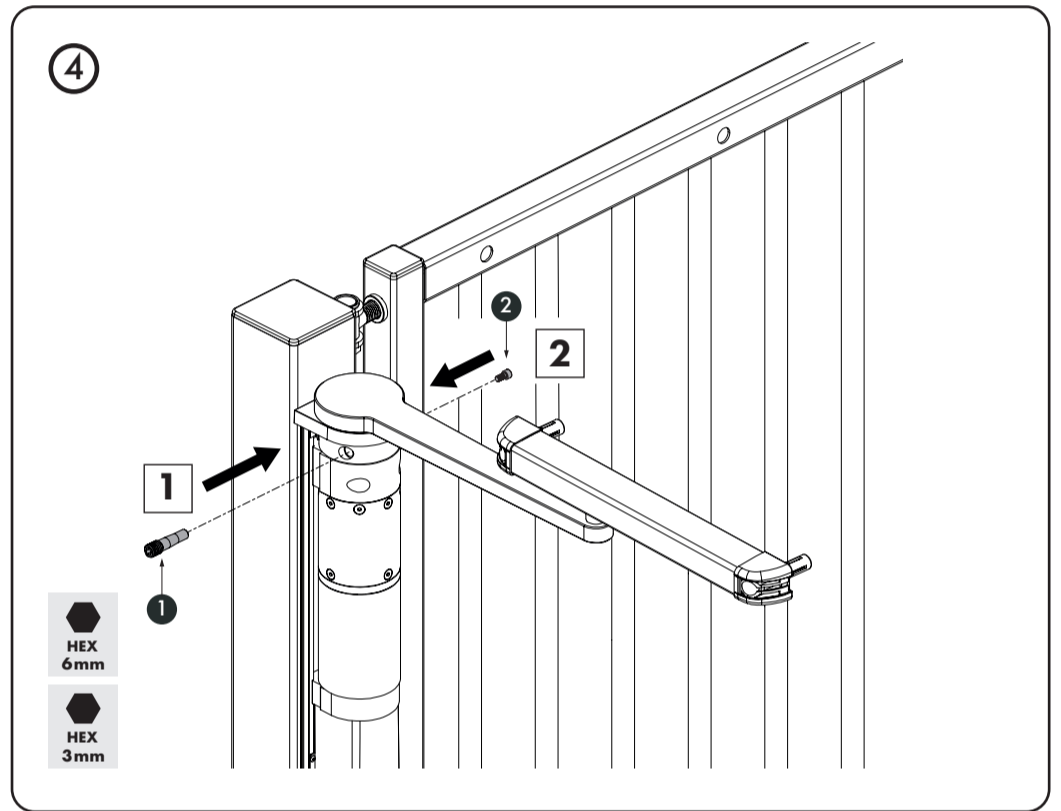
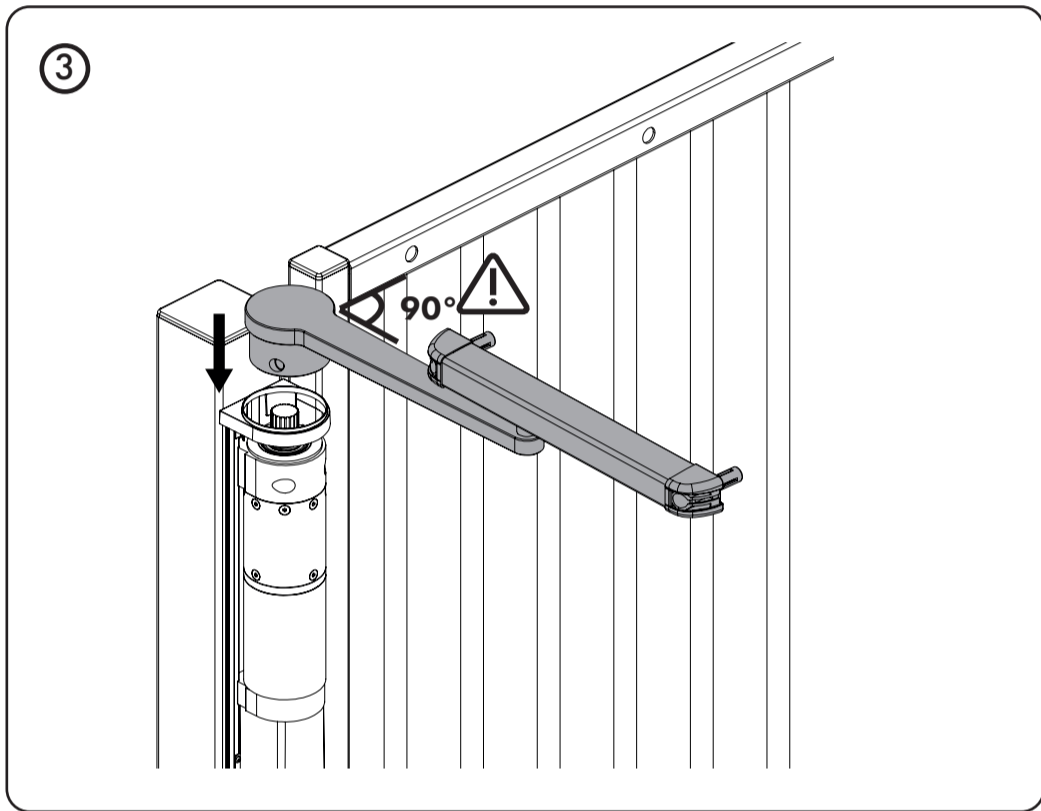
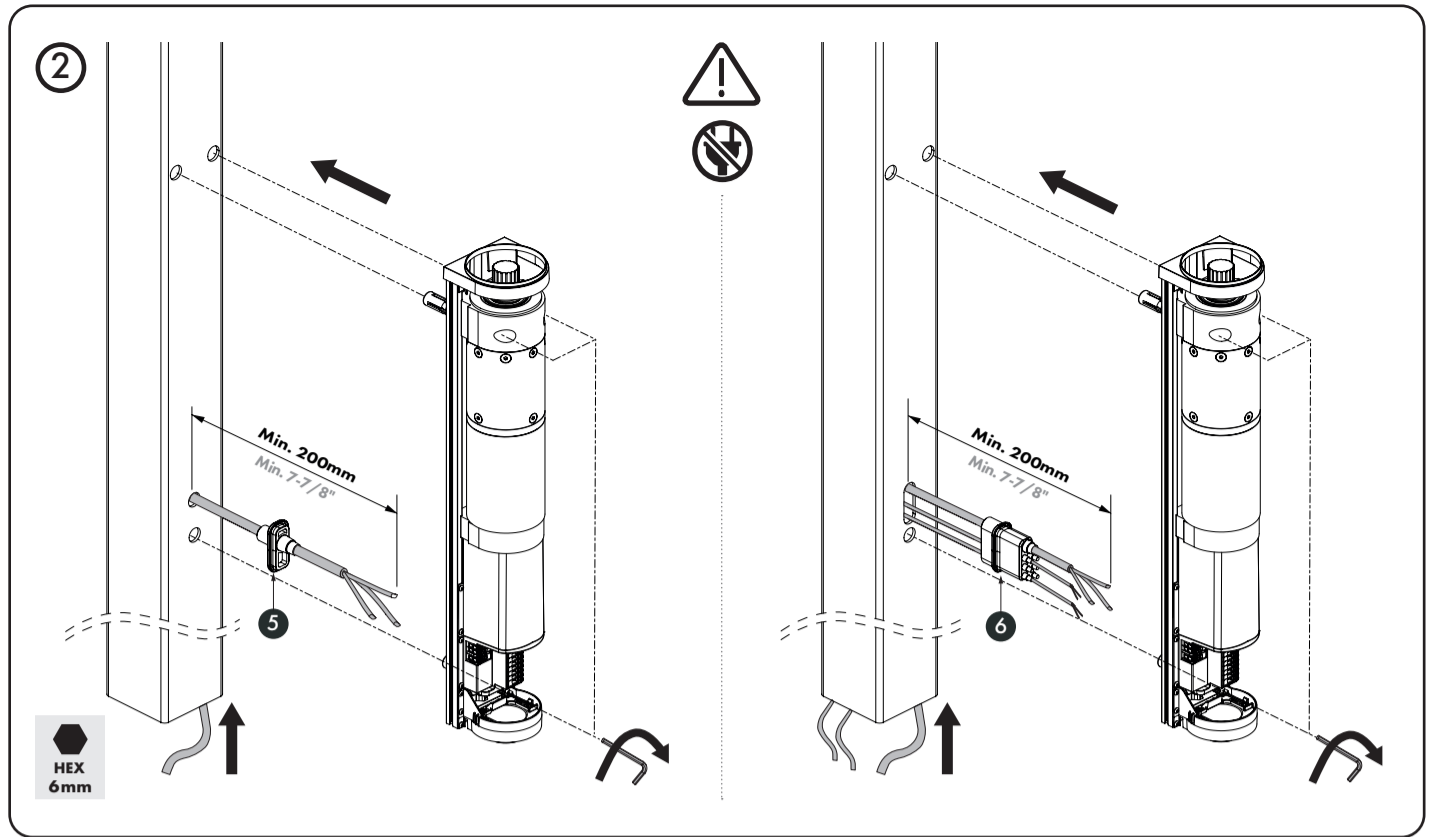
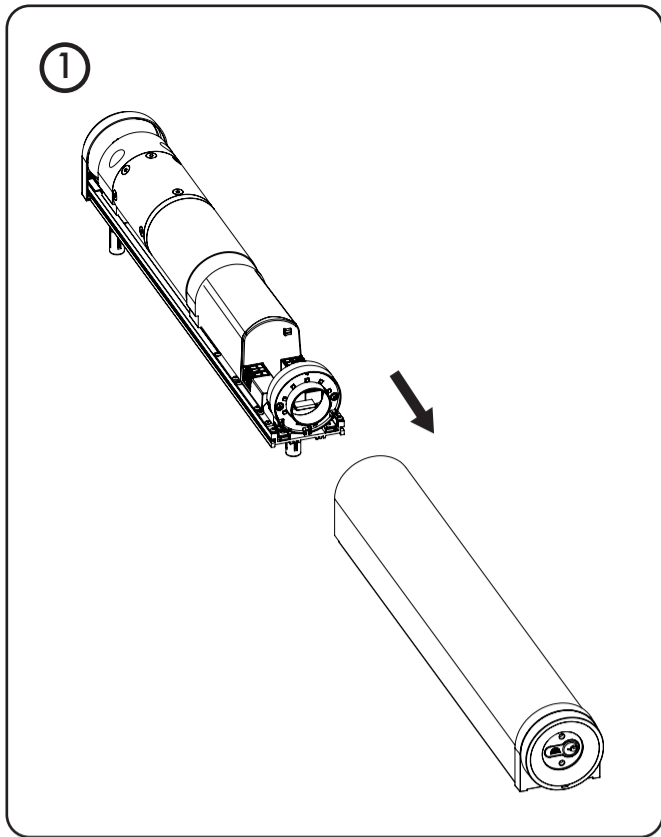


www.locinoxusa.com

877-LOCINOX

helpusa@locinox.com






⑦

Download the app for motor setup  
 Téléchargez l'application pour la configuration du moteur  
 Download de app voor motorconfiguratie  
 Laden Sie die App herunter, um den Motor einzurichten  
 Descarga la aplicación para la configuración del motor.  
 Pobierz aplikację w celu konfiguracji urządzenia  
 Загрузите приложение для настройки двигателя  
 Scarica l'app per configurare il motore





 <b>SUCCESSFUL INSTALLATION?</b> Please send us your pictures & videos <a href="mailto:pictures@locinox.com">pictures@locinox.com</a>	<b>SUCCESVOLLE INSTALLATIE?</b> Stuur gerust uw foto's & video's door	<b>INSTALLATION RÉUSSIE?</b> Veuillez nous envoyer vos photos & vidéos	<b>ERFOLGREICHE INSTALLATION?</b> Bitte senden Sie uns Ihre Bilder & Videos	<b>INSTALACION EXITOSA?</b> Por favor envíenos sus fotos y videos	<b>UDANA INSTALACJA?</b> Prześlij nam swoje zdjęcia i filmy	<b>УСПЕШНАЯ УСТАНОВКА?</b> Пожалуйста, отправьте нам свой фотографии и видео
---	--	---	--	--	--	---

**LOCINOX**  
Let's make it better together

**Doc. Nr.: P0002236**

Locinox NV • Brabantstraat 107 • 8790 Waregem • Belgium  
 Locinox CEE • Irysowa 9 • 55-040 Bielany Wrocławskie • Poland  
 Locinox LLC • 460 Windy Point Drive • Glendale Heights - IL 60139 • USA

  
 P0002236

## FCC statement

This device complies with Part 15 of the FCC Rules. Operation is subject to the following two conditions: (1) this device may not cause harmful interference, and (2) this device must accept any interference received, including interference that may cause undesired operation.

## CAUTION:

Changes or modifications to this unit not expressly approved by the party responsible for compliance could void the user's authority to operate the equipment.

## NOTE:

This equipment has been tested and found to comply with the limits for a Class B digital device, pursuant to Part 15 of the FCC Rules. These limits are designed to provide reasonable protection against harmful interference in a residential installation. This equipment generates uses and can radiate radio frequency energy and, if not installed and used in accordance with the instructions, may cause harmful interference to radio communications.

However, there is no guarantee that interference will not occur in a particular installation. If this equipment does cause harmful interference to radio or television reception, which can be determined by turning the equipment off and on, the user is encouraged to try to correct the interference by one or more of the following measures:

- Reorient or relocate the receiving antenna.
- Increase the separation between the equipment and receiver.
- Connect the equipment into an outlet on a circuit different from that to which the receiver is connected.
- Consult the dealer or an experienced radio/TV technician for help.

This equipment complies with FCC radiation exposure limits set forth for an uncontrolled environment. This equipment should be installed and operated with a minimum distance of 20cm between the radiator & your body. This transmitter must not be co-located or operating in conjunction with any other antenna or transmitter.

## © COPYRIGHT

Copyright© 2023 Locinox. All rights reserved. This product incorporates copyright protected technology that is protected by a number of EU patent method claims and other intellectual property rights owned by the Locinox Corporation and other rightholders.

Use of this copyright protected technology must be authorized by the Locinox Corporation. Reverse engineering or disassembly is prohibited.

No part of this publication can either be reproduced, communicated, transcribed, stored in a retrieval system or be translated into any language in any form or by any means, whether electronic, mechanical, magnetic, optical, chemical, manual or otherwise, unless explicit written consent has been given by the copyright holder.

## NOTICE

The contents of this publication are subject to change. The Locinox Corporation reserves the right to alter the contents of this publication at any time and without notice. The contents of this publication may contain inaccuracies or typographical errors and is supplied for informational use only.

## TECHNICAL SUPPORT

If you require any additional information or assistance during the installation, please contact your dealer, who will be able to provide the latest information. Alternatively, you can visit the Locinox website for more technical information or e-mail us on [info@locinox.com](mailto:info@locinox.com). Please keep the serial number at hand of your product for future support.

 <b>LOCINOX</b>								 <b>LOCINOX USA</b>							
															
<a href="http://www.locinox.com">www.locinox.com</a>		<b>BE-HQ: +32 56 77 27 66</b> <b>PL-CEE: +48 71 758 21 00</b>		<a href="mailto:help@locinox.com">help@locinox.com</a>				<a href="http://www.locinoxusa.com">www.locinoxusa.com</a>		<b>877-LOCINOX</b>		<a href="mailto:help@locinoxusa.com">help@locinoxusa.com</a>			

## EN Safety and installation notices

- Locinox declines all liability caused by improper use or use other than that for which the automated system was intended.
- Do not install the equipment in an explosive atmosphere: the presence of inflammable gas or fumes is a serious danger to safety.
- Connection to the power supply must be made by a professional electrician. Cut off the mains power supply before installation or maintenance interventions.
- The safety of this equipment is only guaranteed when it is effectively earthed in conformity with current safety standards and regulations.
- Respect the minimum cable sections for the power and signal cables.
- Prepare suitable piping and ducts for routing the electrical cables, ensuring protection against

mechanical damage.

- The gate structure should be solid and suitable. If necessary, add suitable reinforcement at the anchoring points. The use of a steel gate post with a thickness of 3mm is recommended, minimum 2mm. Aluminum gate post requires a thickness of 5mm.
- The hinges should be in good condition and greased, bearing hinges are recommended. The forces on the gate hinges can be high during fast and powerful gate movements. It is recommended to add a safety cable and oversize the gate hinges.
- The gate should be placed level. Do not install on tilted gates.
- The Venus operator arm should be installed on the top side. Do not install the product upside down.
- Ensure there is a stop installed in the closed position. An opening stop is not mandatory, but

recommended.

- Guarantee sufficient distance between the moving gate and the gate post to avoid finger entrapment.
- Venus can be configured using a mobile application via a Wi-Fi connection. To download the application, scan the QR code provided on the product or refer to the last step in the installation manual. Follow the app's instructions to configure the motor.
- Follow the current status of directives, standards and country-specific regulations.
- Europe: EN16005 / US: ANSI 156.19
- In compliance with Machine Directive 2006/42/EC, a risk analysis must be performed and automated gate identified in accordance with CE Marking directive 93/68/EEC before the system is commissioned.

## Product description

### Models

- **VENUS-S:**  
Reversible motor for pedestrian gates with integrated electronics including sliding arm
- **VENUS-A:**  
Reversible motor for pedestrian gates with integrated electronics including articulated arm
- **VENUS-G:**  
Reversible motor for pedestrian gates with integrated electronics, including compact arm for 180° hinges

### Accessories

- **VENUS-ARM-S:**  
Sliding arm for the Venus motor
- **VENUS-ARM-A:**  
Articulated arm for the Venus motor
- **VENUS-ARM-G:**  
Compact arm for the Venus motor
- **VENUS-RAIL:**  
Accessory for VENUS-S and VENUS-A in combination with 180° hinges

**VENUS-ADAPTERPLATE:**

### Intended use

The Venus gate motor is designed for the automatic opening and closing of pedestrian swing gates and outdoor use. This is a reversible motor, so an (electric) lock is mandatory. The operating speed is limited to low-energy settings according to EN16005 and ANSI 156.19 standards. Any improper use, as well as modifications to the products, is not permitted.

## Technical specifications

Power supply (V)	110 - 240V AC (50/60Hz)
Motor voltage (V)	24V DC
Nominal power	50 W
Max motor torque (Nm)	150 Nm
Operating temperature range (°C)	-30°C ÷ 70°C
Opening time to 90° (s)	> 4 sec
Degree of protection	IP 54
Weight excluding arm (kg)	6.1 kg

## Connection scheme

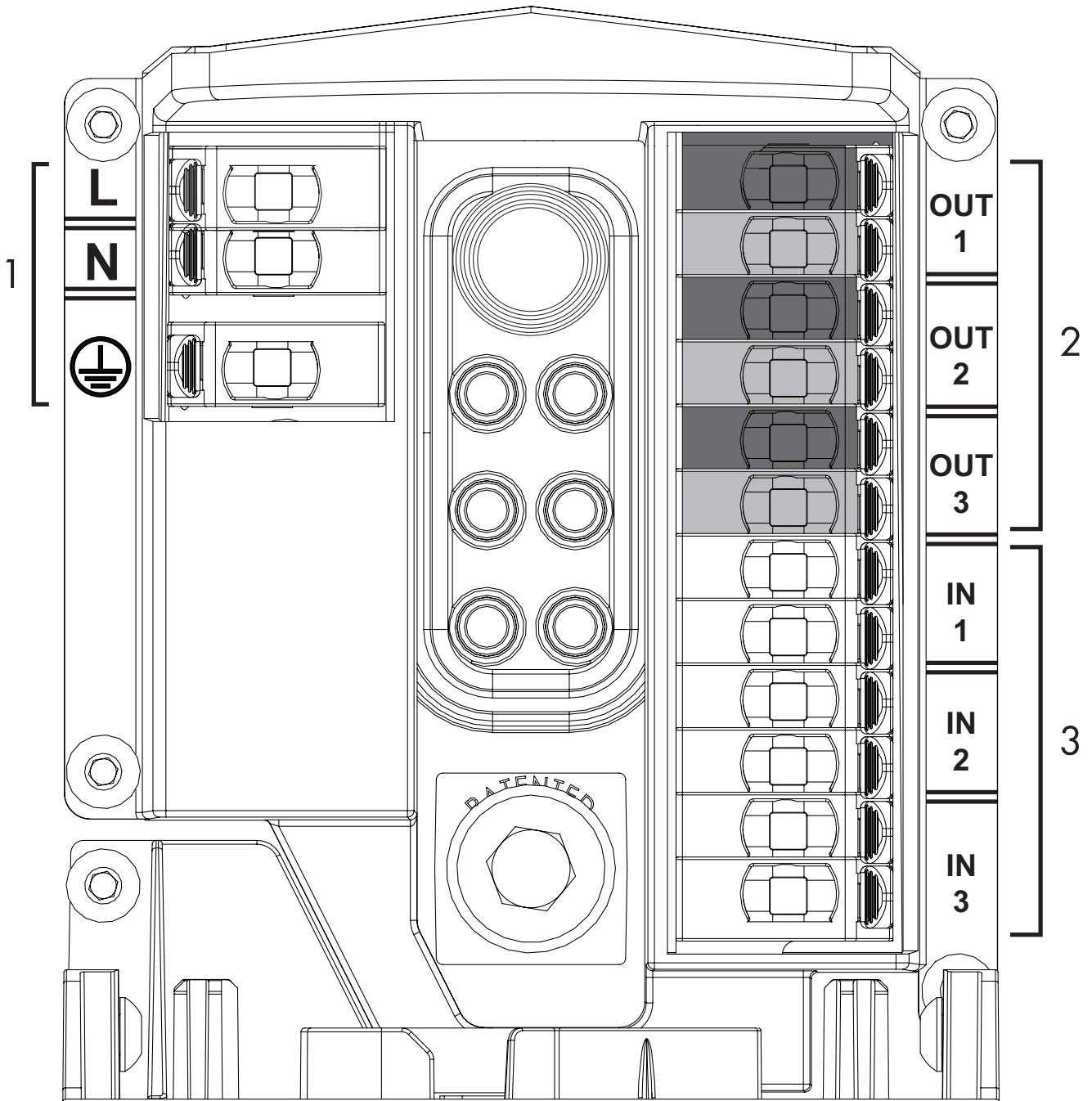
'Locinox' installation app required for initialization and configuration

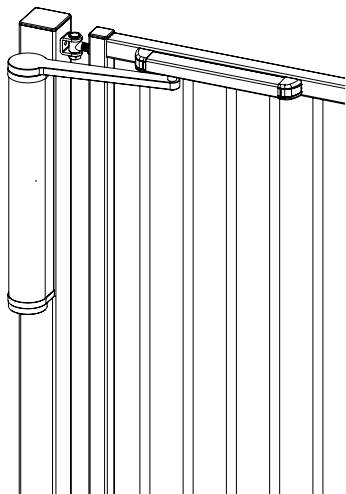
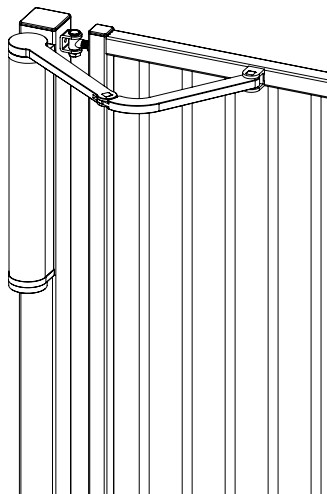
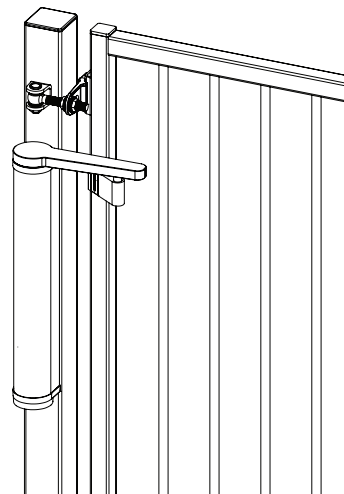
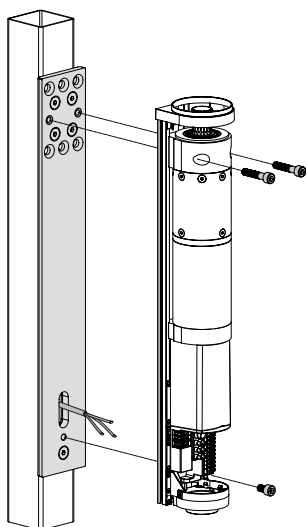
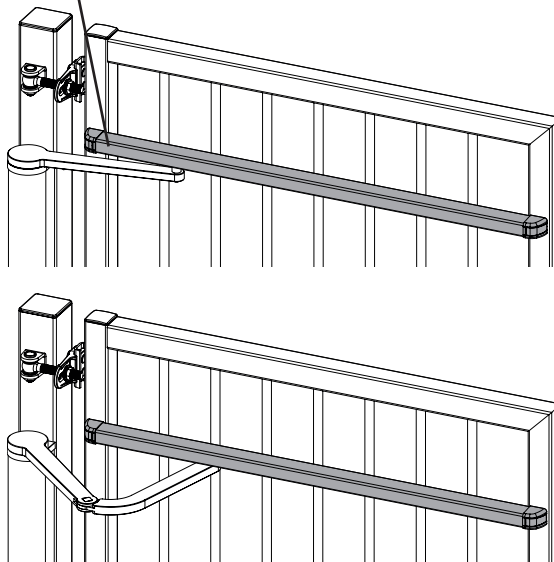
1. 110-240V AC ±10% 50/60Hz
2. 3 programmable outputs:
  - Electric lock (Fail Open / Fail Close)
  - Flashlight / light with timer
  - 24V DC AUX

Total output power: max 0.5A (12W)

3. 3 programmable inputs:
  - Activation device (N.O.)
  - Safety device (N.C. / 8K2)





**VENUS-S****VENUS-A****VENUS-G****VENUS-ADAPTERPLATE****VENUS-RAIL****SUCCESSFUL  
INSTALLATION?**

Please send us your  
pictures & videos

**SUCCESSVOLLE  
INSTALLATIE?**

Stuur gerust uw foto's  
& video's door

**INSTALLATION  
RÉUSSIE?**

Veuillez nous envoyer  
vos photos & vidéos

**ERFOLGREICHE  
INSTALLATION?**

Bitte senden Sie uns  
Ihre Bilder & Videos

**INSTALACION  
EXITOSA?**

Por favor envíenos  
sus fotos y videos

**UDANA  
INSTALACJA?**

Prześlij nam swoje  
zdjęcia i filmy

**УСПЕШНАЯ  
УСТАНОВКА?**

Пожалуйста, отправьте нам  
свои фотографии и видео

**LOCINOX**<sup>®</sup>  
Let's make it better together

Doc. Nr.: P00017261

Locinox NV • Brabantstraat 107 • 8790 Waregem • Belgium  
Locinox CEE • Irysova 9 • 55-040 Bielany Wrocławskie • Poland  
Locinox LLC • 460 Windy Point Drive • Glendale Heights - IL 60139 • USA



P00017261