

# SafePass KTL Safety Light Curtain



*The SafePass KTL Safety Light Curtains play an important role in access control for automatic door and gate systems, preventing accidents and enhancing overall safety.*

*The KTL Light Curtain is available in two lengths 90 cm and 180 cm and are ideal for industrial, residential or commercial applications.*

The SafePass KTL Safety Light Curtain uses photocell infrared communication protocol and features a receiver and a transmitter units with 9 or 18 parallel scanning beams.

Depending on the scan mode chosen the KTL features a fast response time of up to 270ms (in cross mode) ensuring the gate quickly stops or reverses when an obstruction is detected.

SafePass KTL light curtains can be set up to cover the entire height and width of the door/gate entry's operational area or partially where the path is most likely to be crossed by objects or people.

Safety light curtains can be integrated into an access control system, to work with other safety devices like pressure-sensitive edges, motion sensors, and emergency stop buttons to provide a comprehensive safety solution.

Easy to install the KTL can be set to function in linear scan mode or cross scan mode for increased safety.

## SafePass KTL Safety Light Curtain features include:

- 1-16 metre sensing range
- 9 or 18 parallel scanning beams
- 10 cm spacing
- Dead zone top 175mm
- Dead zone lower part 25mm
- 2 detection modes; linear scan and cross scan
- Automatic sensitivity = 500ms
- Power, output and system status indicators
- 12-24V AC/15-40V DC supply voltage
- 5 wire solid state relay output
- Plastic casing with aluminium reinforcement bars
- Typically used for indoor or undercover situations

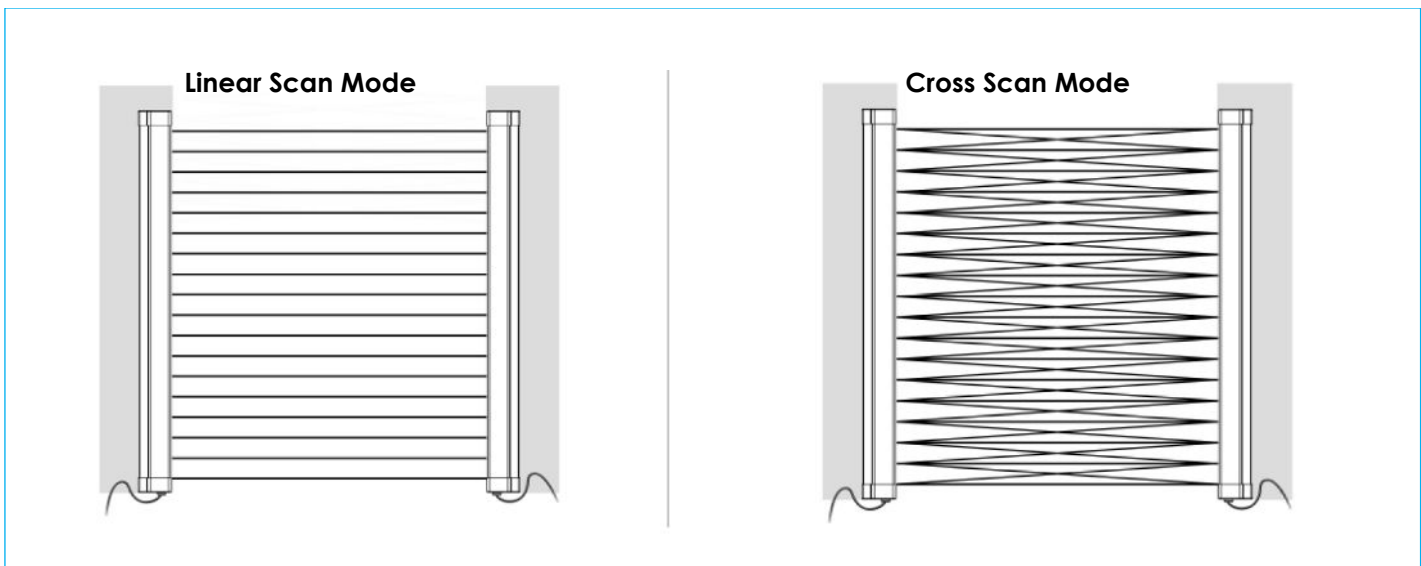
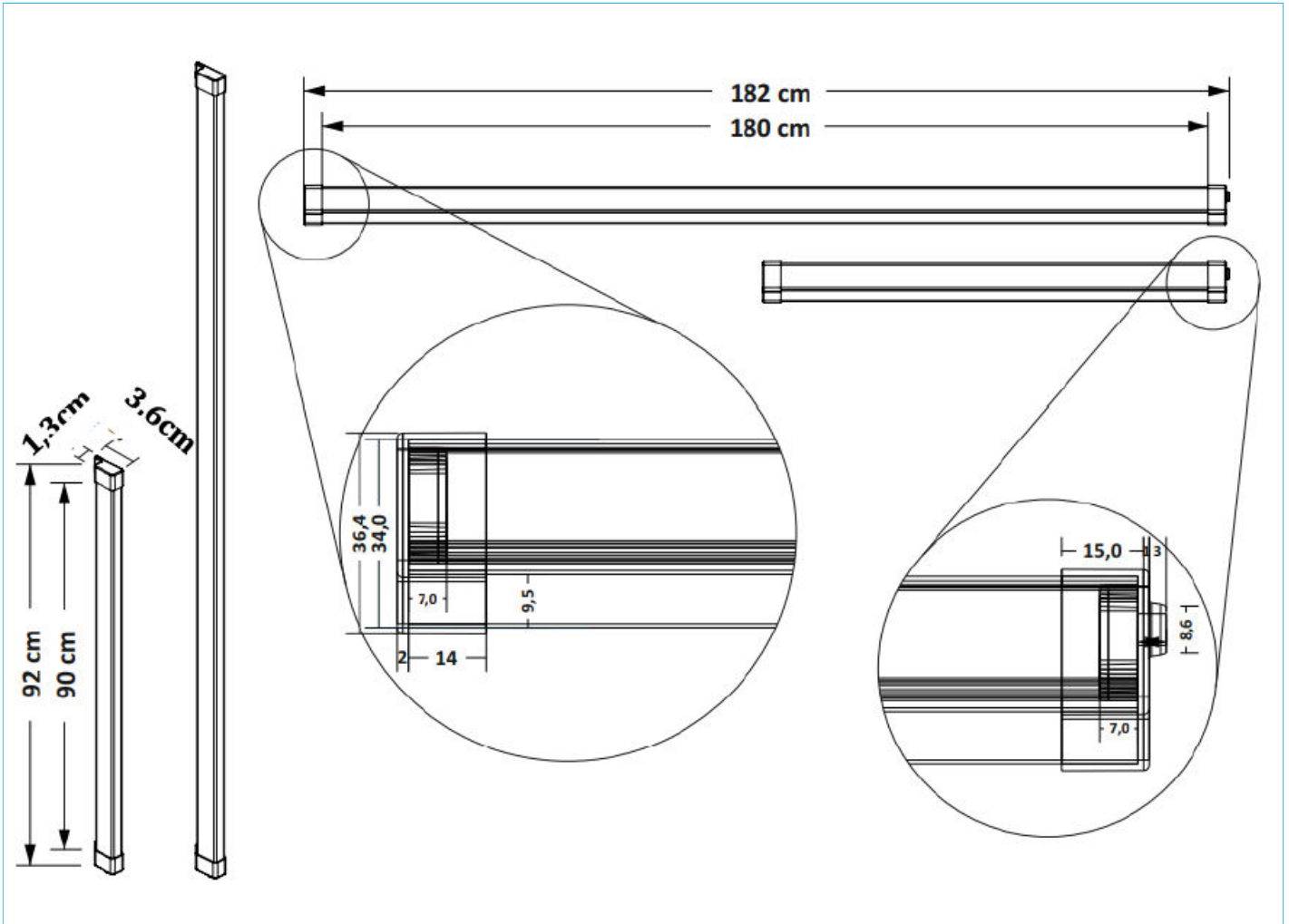
## Technical Specifications

Specification	90cm Light Curtain Transmitter	90cm Light Curtain Receiver
<b>Model</b>	BF2 90V	BF2 90A
<b>Working Voltage</b>	12-24V AC / 15-40V DC	12-24V AC / 15-40V DC
<b>Working Current</b>	100mA @24V DC	100mA @24V DC
<b>Max. Reaction Time</b> (Linear / Cross Mode)	–	88ms / 155ms
<b>No of Parallel Beams</b>	9	
<b>Sensor Spacing</b>	10 cm apart	
<b>Max. Working Distance</b>	16m*	16m*
<b>Min. Contacting Time</b>	–	500ms
<b>Infrared Frequency</b>	38kHz	38kHz
<b>Working Temperature</b>	-20 °C +55 °C	-20 °C +55 °C
<b>Contact Type</b>	–	Dry Contact NO / NC
<b>Max. Contact Power</b>	–	60V DC 100mA, 42V AC 100mA
<b>Weight</b>	1128,4 gr	1128,4 gr
<b>Dimensions</b> (Width x Length x Depth)	3,6 x 92 x 1,3cm	3,6 x 92 x 1,3cm

Specification	180cm Light Curtain Transmitter	180cm Light Curtain Receiver
<b>Model</b>	BF2 180V	BF2 180A
<b>Working Voltage</b>	12-24V AC / 15-40V DC	12-24V AC / 15-40V DC
<b>Working Current</b>	100mA @24V DC	100mA @24V DC
<b>Max. Reaction Time</b> (Linear / Cross Mode)	–	125ms / 270ms
<b>No of Parallel Beams</b>	18	
<b>Sensor Spacing</b>	10 cm apart	
<b>Max. Working Distance</b>	16m*	16m*
<b>Min. Contacting Time</b>	–	500ms
<b>Infrared Frequency</b>	38kHz	38kHz
<b>Working Temperature</b>	-20 °C +55 °C	-20 °C +55 °C
<b>Contact Type</b>	–	Dry Contact NO / NC
<b>Max. Contact Power</b>	–	60V DC 100mA, 42V AC 100mA
<b>Weight</b>	2040 gr	2040 gr
<b>Dimensions</b> (Width x Length x Depth)	3,6 x 92 x 1,3cm	3,6 x 92 x 1,3cm

\* Maximum operating distance tested indoors. The operating distance of the product varies slightly depending on weather conditions and environments.

## Dimensions



Rotech supply all forms of door and gate automation

### Vehicle Access Control

- Booms Gates
- Sliding Gates
- Swing Gates
- Industrial Door Openers
- Solar Powered Gate Openers

### Pedestrian Access Control

- Full Height Turnstiles
- Waist Height Turnstiles
- Supermarket Gates/Turnstiles
- Wheelchair Access Gates
- Rapid Access Gates

**Fast | Safe | Secure**