



Vehicle Access Control
Pedestrian Access Control
Safety & Security Equipment

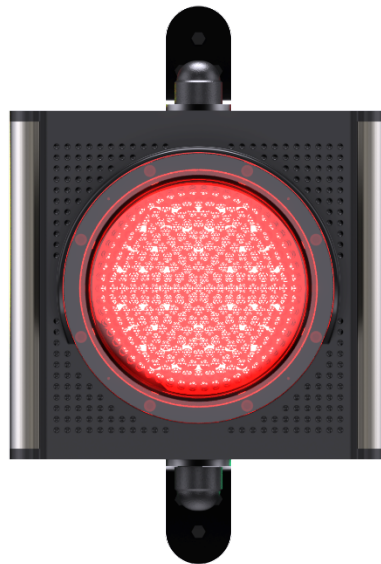
t: +61 07 3205 1123

www.rotech.com.au

e: info@rotech.com.au

User Manual for:

KTL Traffic Lights





Please read the instructions carefully before you start using your device. You fulfill step by step necessary specifications like installing settings, electrical connections and first operate system configurations carefully. After this stage, product owner/user have to keep this manual on known and visible place throughout product life.

- This product can be used indoors and outdoors. For outdoor use, the installation must be done correctly.
- Batteries are not covered by the warranty in battery operated products. In products whose shelf life has expired, malfunctions caused by battery liquid discharge or leakage are not covered by the warranty.
- All service and repairs can only be done by Kontal Elektronik. The product should not be intervened by any other persons.
- The operating voltage of the product is described on its label. Do not power the product with a different source outside this voltage range.



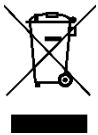
If the product is used in violation of the above-mentioned items, it may cause fire, personal injury, or damage to the product or the structure in which the product is installed. Kontal Elektronik Ltd does not accept any responsibility for such situations caused by the user.

- ✓ This exclamation mark will be used to highlight important points.



Do not touch supply input of the product with bare hands.

- ✓ This electric mark will be used to highlight electricity hazard.



This symbol on the product or its box indicates that this product cannot be treated as normal household waste. Instead, the product should be delivered to designated collection points for the recycling of electronic equipment. Incorrect disposal of the product can have negative consequences for the environment and human health.



Legal rights and responsibilities of this document and its revisions belong to Kontal Elektronik Ltd. It is a crime and prohibited to change it without permission.

1. DEFINITION

Traffic light is a product used to control vehicle and pedestrian traffic. It is generally used for warning purposes at site and parking entrances and exits.

2. TECHNICAL FEATURES

TECHNICAL FEATURES

Model	:	TRFL1	TRFL2	TRFL3
Product Code	:	K194-01	K195-01	K196-01
Working Voltage	:	24V DC		
Working Current	:	370mA @24V DC / Modul		
Light Type	:	LED		
Power	:	9W / Modul		
Number of Modules	:	1	2	3
Color	:	Red / Yellow / Green (One Color)	Red - Green (Two Colors)	Red - Yellow - Green (Three Colors)
Reflector Diameter	:	100 mm		
Casing	:	ABS - Aluminium		
Casing Color	:	Black - Inox		
Type of Mounting	:	Wall		
Light Surface	:	UV Acrylic		
IP Class	:	Manufactured According to IP67 Standards		
Operating Temperature	:	-40 °C / +50 °C		
Weight	:	1100 gr	1800 gr	2500 gr
Dimensions(Weight x Lenght x Depth)	:	174 x 256 x 163 mm	174 x 406 x 163 mm	174 x 556 x 163 mm

3.CONNECTION SHEMA

NOTE: If the TRFL1 product you purchased is red, the 24VDC cable will be BROWN; if it is green, the 24VDC cable will be GREEN.

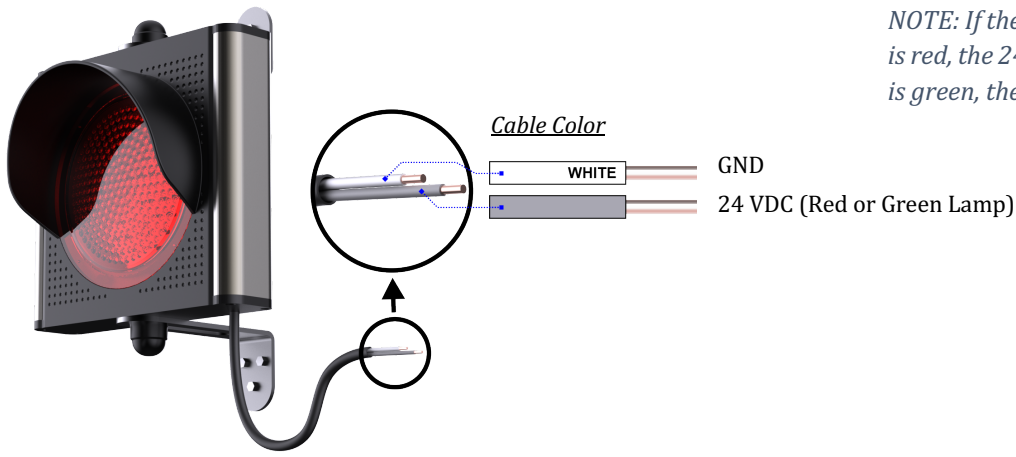


Figure 1-TRFL1 Wiring Schematic

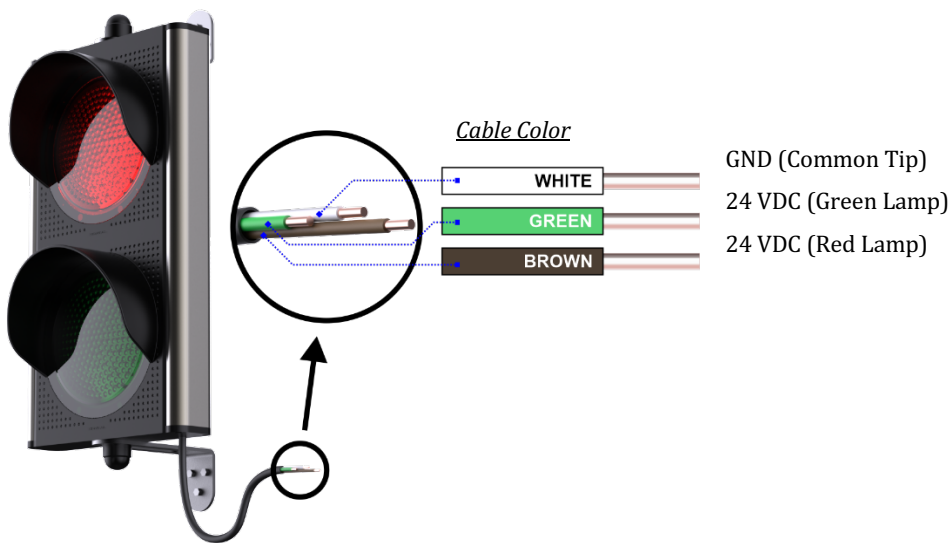


Figure 2 - TRFL2 Wiring Schematic

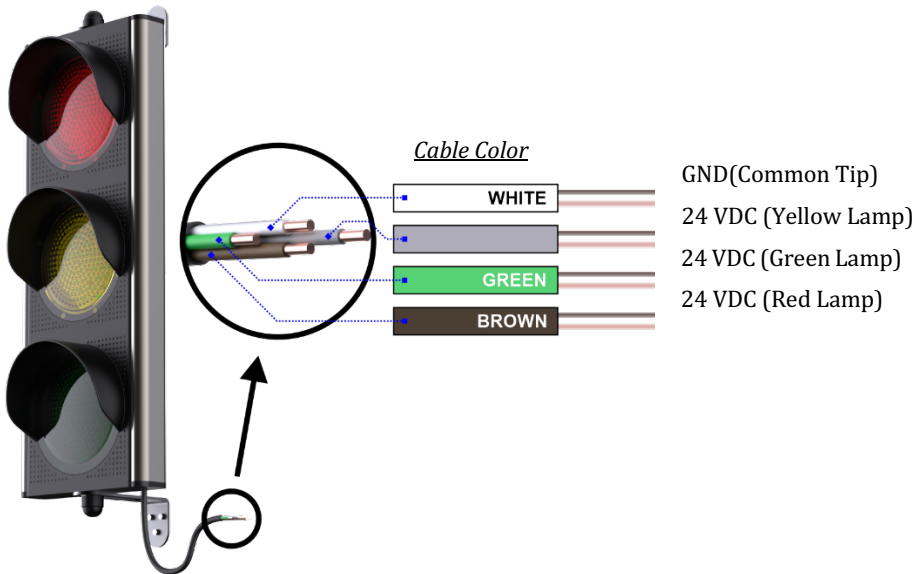
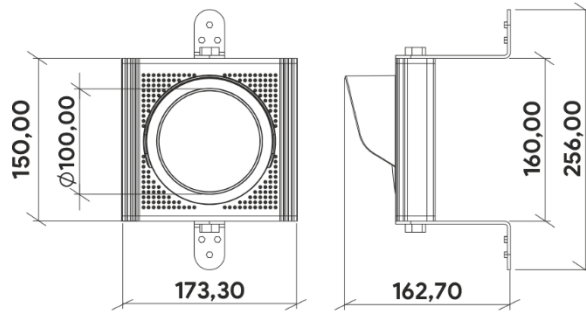


Figure 3 - TRFL3 Wiring Schematic



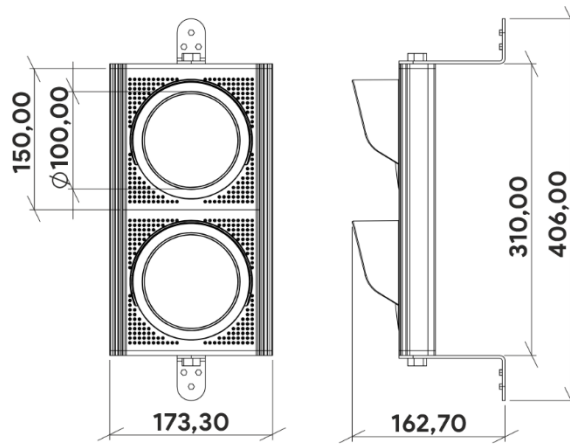
Turn off the power when connecting your product.
Do not touch the terminal points of the product with bare hands since the system is energized.

4. DIMENSIONS



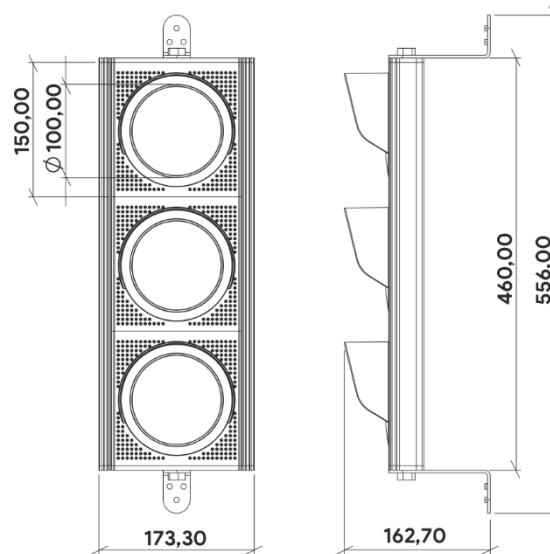
Measurement Unit: mm

Figure 4-TRFL1 Measurements



Measurement Unit: mm

Figure 5-TRFL2 Measurements



Measurement Unit: mm

Figure 6-TRFL3 Measurements

5. INSTALLATION



Figure 7 - TRFL Wall Mounting

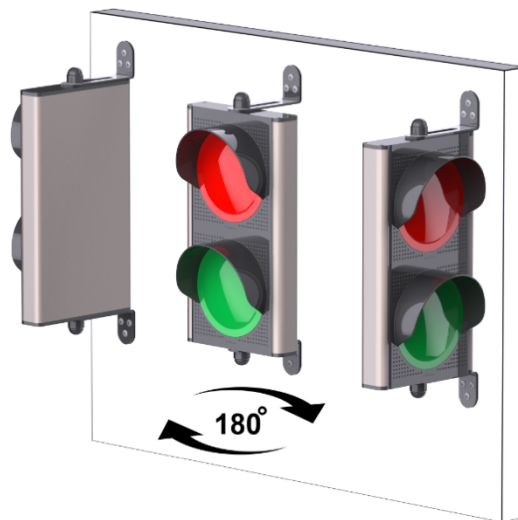


Figure 8 - TRFL Angle Adjustment

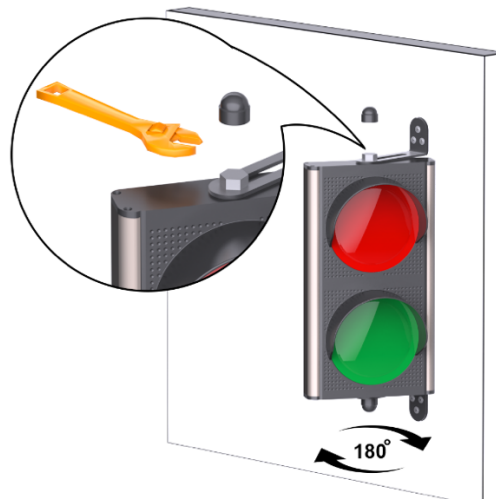


Figure 9 - TRFL Closing Fixing and Nut Covers