

# KTL 100mm Traffic Lights

100mm red/green traffic lights



Standard traffic lights used on Australian roads are all normally 200 mm in diameter and need to be visible at distances of up to 300 metres.

In some circumstances a smaller traffic light with a narrower viewing angle and a lower light intensity is required. The 100 mm diameter is ideal for this application.

In most access control situations the two aspect red / green combination is used.

## Ramp Control Board Option

For applications where smooth traffic flow and/or high safety is a factor the KTL traffic lights can be incorporated as part of a total traffic management solution with our ramp controller option.

Whether you need a combination of traffic lights, loop detectors, radar systems to work in conjunction with your boom gate/s we can provide a ramp controller board with the functionality configured specifically to suit your traffic control needs. Please contact us for a detailed quote.

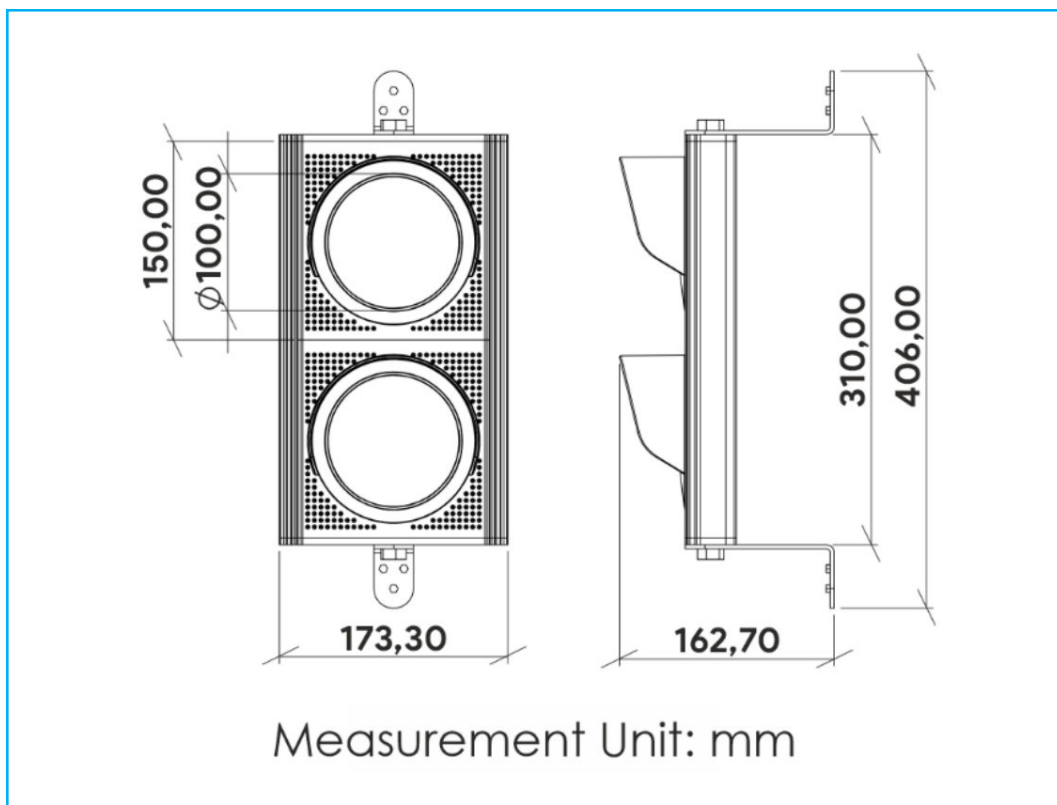
### KTL Traffic Light features include:

- 24VDC LED lights (Red/Green)
- Low voltage controls eliminate the need for expensive cable runs to mains power
- Ramp controller compatibility (optional)
- Integrates with detection safety devices
- Suitable for harsh conditions supplied with tough black ABS aluminum enclosure and wall mounting brackets.
- Waterproof IP67 rated

## Technical Specifications

Specification	KTL Traffic Lights
Reflector Diameter	100mm
Colour	Red / Green
Working Voltage	24V DC / Module
Light Type	LED
Power	9W / Module
Number of Modules	2
Casing Colour	Black Inox
Type of Mounting	Wall
Light Surface	UV Acrylic
IP Class	IP67
Operating Temperature	-40 °C / +50 °C
Weight	1800 gr
Dimensions	174 x 406 x 163 mm

## Dimensions



Rotech supply all forms of door and gate automation

### Vehicle Access Control

- Booms Gates
- Sliding Gates
- Swing Gates
- Industrial Door Openers
- Solar Powered Gate Openers

### Pedestrian Access Control

- Full Height Turnstiles
- Waist Height Turnstiles
- Supermarket Gates/Turnstiles
- Wheelchair Access Gates
- Rapid Access Gates

**Fast | Safe | Secure**

For more information: t: +61 07 3205 1123 | [www.rotech.com.au](http://www.rotech.com.au) | e: [info@rotech.com.au](mailto:info@rotech.com.au)

V0724