

# Remote Radio Controls

Nova & Sentry Secure code-hopping remote controls and SupaHelix multi user radio receiver

## NOVA Transmitter



Available in 1, 2 & 4 button

## NOVA Receivers



1 Channel



2-4 Channel

Remote radio transmitters are a convenient method of controlling many types of equipment, they are most commonly used for automatic gates, automatic doors and vehicles.

## NOVA Remote Radio Controls

NOVA offers the same level of security as currently provided by leading brand car manufacturers for immobilising vehicle alarms and activating door locks. The Nova remote transmitter can operate at a distance of 20 – 30 metres from the receiver, this can vary under certain conditions.

The compact durable ABS housing ensures a long lifespan and the “positive touch” buttons guard against accidental operation of the transmitter.

NOVA Rolling code technology ensures that each code that is transmitted by the remote is totally and randomly different to the last code transmitted. This prevents unwanted copying of the remote signal and cloning of the remote itself.

## SENTRY Remote Radio Controls

The SENTRY remote radio transmitters are an alternate to our NOVA remotes. The Sentry remotes have the same features and functionality and can be used instead of the NOVA.

## SupaHelix Multi-User Radio Receiver

A high-security controller with an intuitive navigation interface that offers a multitude of features makes for an access control system that delivers unmatched convenience, security, event logging and administration.

Each of the three channels can be configured as either an input or an output, and the output mode can be set to be momentary, pulsed or latching. Outputs can be used to activate an automatic gate, switch on a pool pump, arm an alarm or control any number of electrical devices, while inputs are perfect for performing monitoring operations such as tracking how many times a secure door has been opened.

The SupaHelix provides a convenient on board USB host which can be used to back up all users and system settings onto a memory stick within a matter of seconds, and to load firmware just as quickly.



Available in 3 & 4 button



SENTRY 2 Channel Receiver

## SupaHelix Multi-User Radio Receiver



### SupaHelix Radio Receiver features:

- Control three channels
- Large memory - stores up to 10,000 remote buttons
- Easily add and delete remote buttons
- Flexible input/output channels
- Transaction logging
- Easy setup and visual diagnostics
- Effortless system backup and restore
- Easy management of individual access
- Daylight savings time feature.

## Technical Specifications

Specifications	NOVA Transmitter
Operating current	17mA
Operating voltage	12/24vac/dc
Operating temperature	-15°C to 50°C
Weight with battery	28 grams
Battery Type	GP23 12V

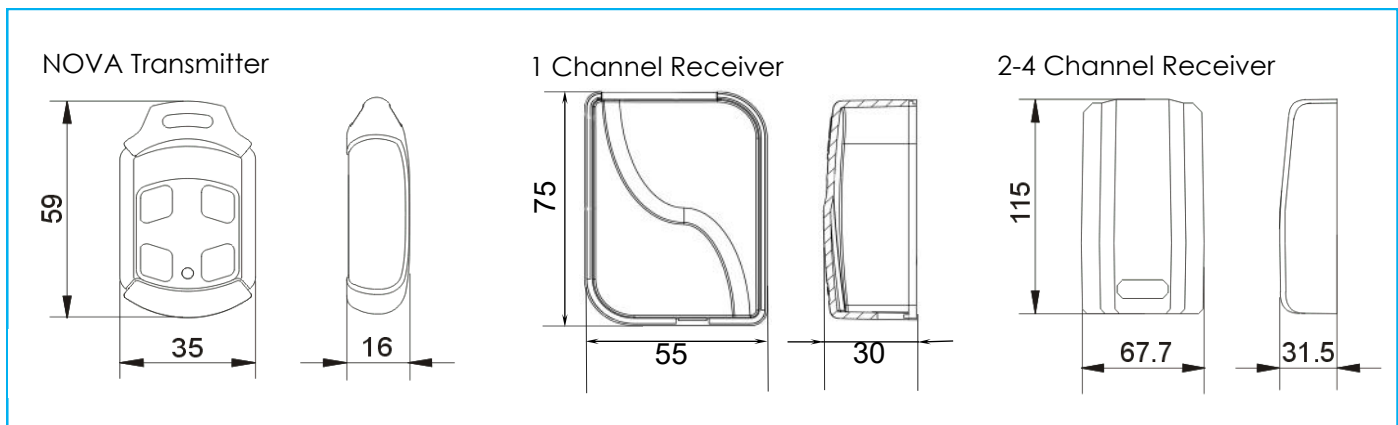
Specifications	NOVA Receivers
Supply voltage	12-24vac/dc
Quiescent current (@12V DC)	11mA
Current (@12V DC) 1 channel	40mA
Current (@12V DC) 2/4 channel	40mA (max.)
Operating temperature	-15°C to 56°C
Button Memory	1 Channel 63 2 Channel 250 4 Channel 250

Specifications	SENTRY Transmitters
Power source	Internal 12V Battery (Type 23A)
Frequency	433.92 Mhz
Transmission power	350mW
Current consumption	9mA active
Operating Temp	0°C to 40°C
Dimensions	65 x 32 x 14 mm

Specifications	SENTRY Receiver
Supply voltage	12-24vac/dc
Relay contact	1Amp
Frequency	433.92Mhz
Sensitivity	-115dBm
Current consumption	15mA passive and 50mA active
Button Memory	2 Channel 1000
Dimensions	90 x 66 x 95

Specifications	SUPAHELIX
Supply voltage	10.5V - 30V DC
Standby current	12V: 100mA (110mA) 24V: 70mA (80mA)
Maximum current	12V: 270mA (500mA) 24V: 230mA (400mA)
Operating temperature	-20°C - +70°C
Housing material	ABS
Degree of protection	IP50
Memory capacity	10,000 individual buttons
Input filter	0-9999 sec in 1 sec increments
Inputs/outputs	Maximum three (selectable as any combination of open collector outputs and/or switch-to-negative inputs)

## Dimensions



Rotech supply all forms of door and gate automation

### Vehicle Access Control

- Booms Gates
- Sliding Gates
- Swing Gates
- Industrial Door Openers
- Solar Powered Gate Openers

### Pedestrian Access Control

- Full Height Turnstiles
- Waist Height Turnstiles
- Supermarket Gates/Turnstiles
- Wheelchair Access Gates
- Rapid Access Gates

Fast | Safe | Secure

For more information: t: +61 07 3205 1123 | [www.rotech.com.au](http://www.rotech.com.au) | e: [info@rotech.com.au](mailto:info@rotech.com.au)

V1123