



Vehicle Access Control  
Pedestrian Access Control  
Safety & Security Equipment

T: +61 7 3205 1123

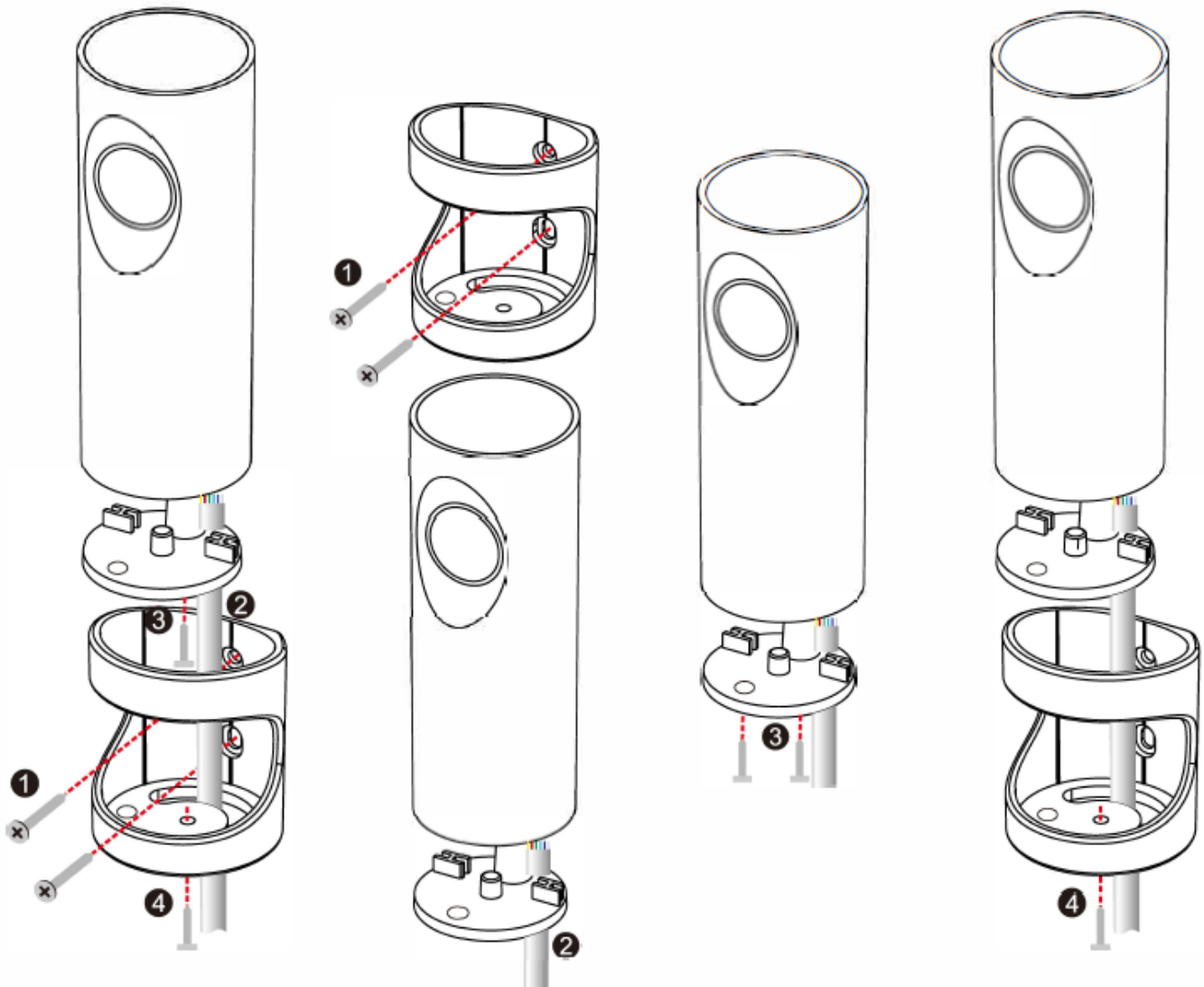
[www.rotech.com.au](http://www.rotech.com.au)

e: [info@rotech.com.au](mailto:info@rotech.com.au)

## SafePass W30R 180° Adjustable Wireless PE BEAM



 **Installation : (Unit : mm)**



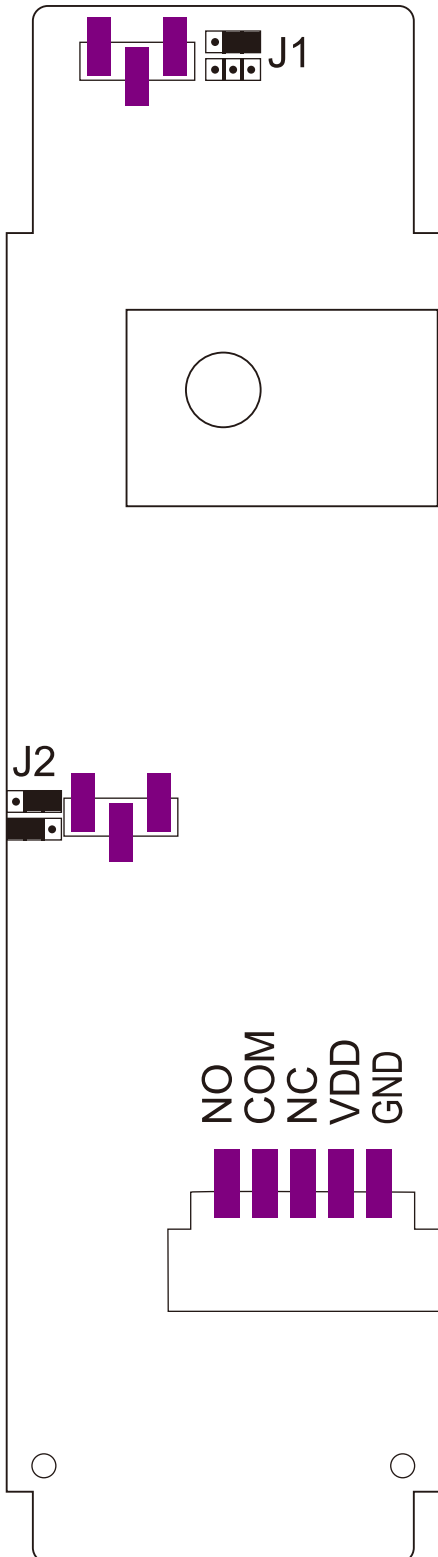
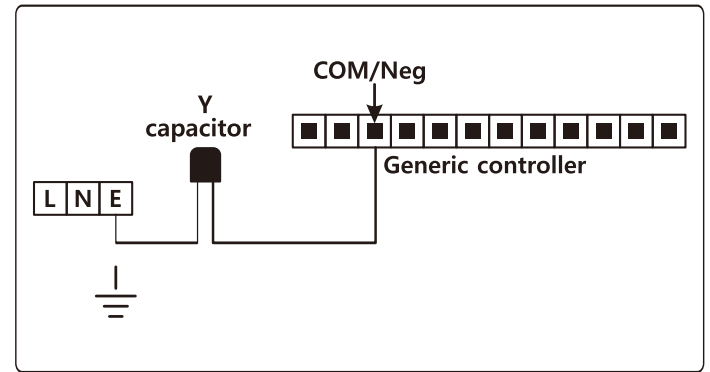
1. Transmitter and Receiver fixed base horizontally aligned, fixed to wall with 3\*25 screws;
2. The connecting wire passes through the infrared bottom cover;
3. Lock the infrared base cover with 3\*8 screws;
4. Adjust the transmitter and receiver angle, then fix with the cover with screws 3\*8.



## Receiver LED Indicator

LED	Function
Flashing	Not Transmit
Turn off	Receive a signal from Transmit

## Connection Details



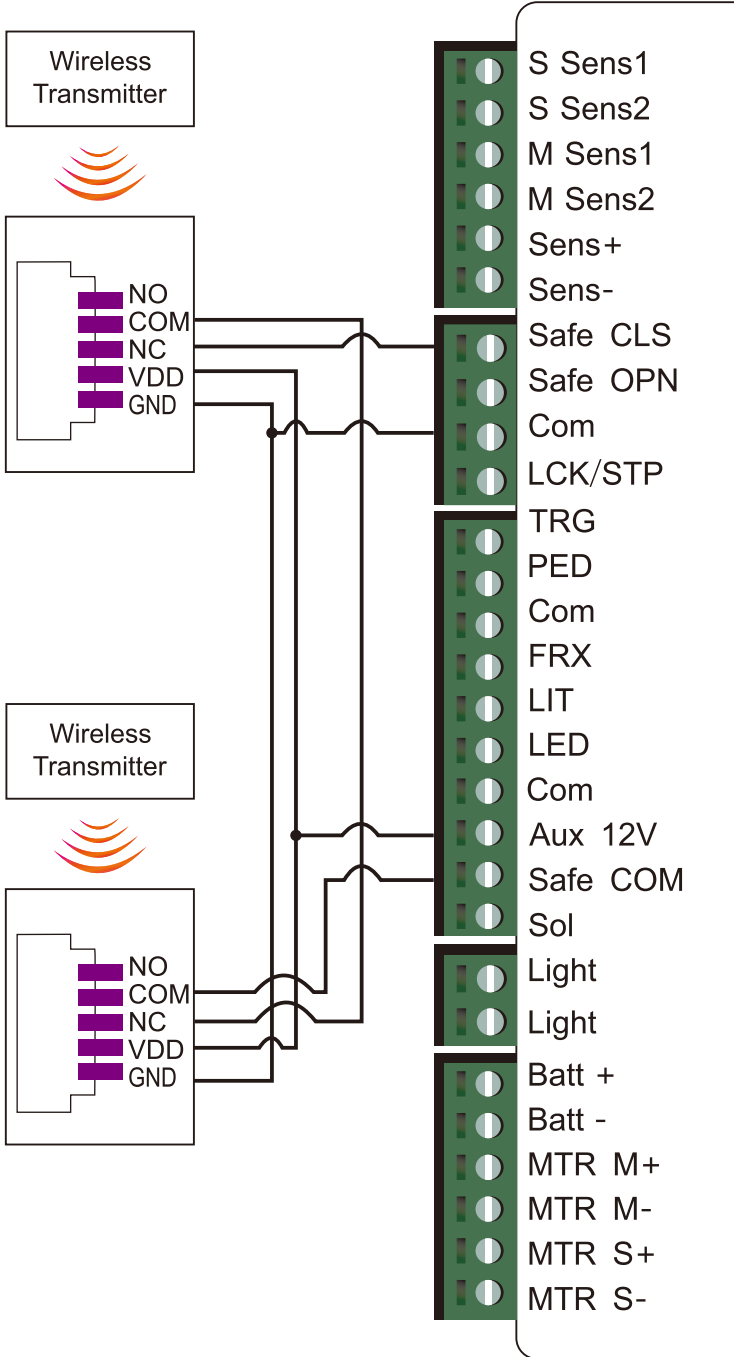
## Receiver Jumper

Jumper	Point	Function
J1		Relay reverse output
		Relay normal output
J2		NPN output
		Relay output

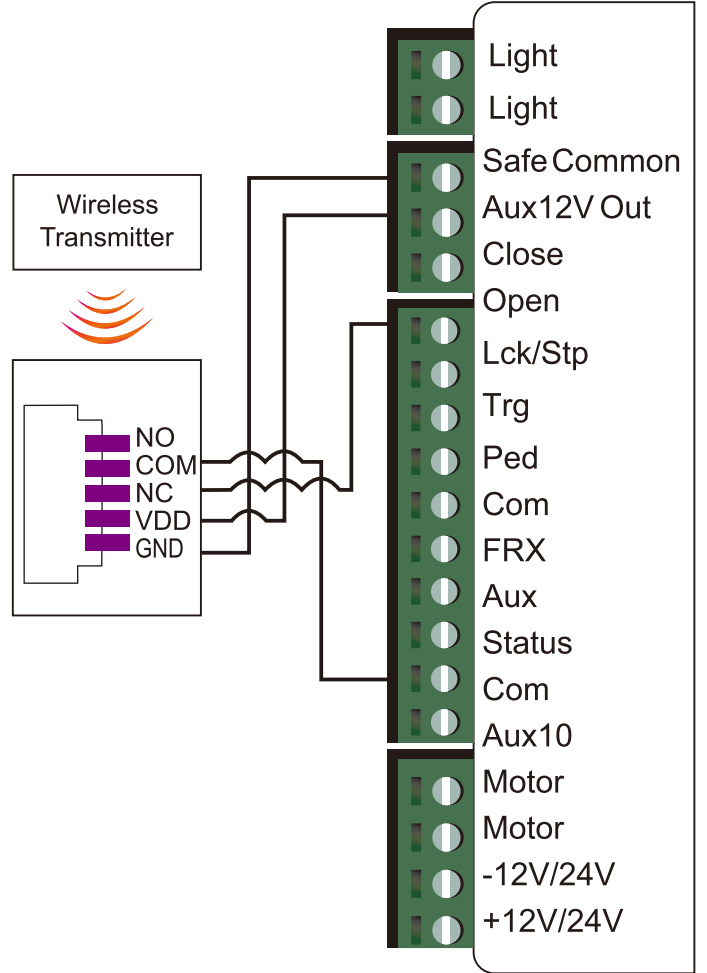
## Receiver connection

Connection	Colour	Function
NO	Green	Relay NO contact
COM	White	Relay COM contact
NC	Yellow	Relay NC contact
VDD	Red	Power supply input
GND	Black	Power supply input

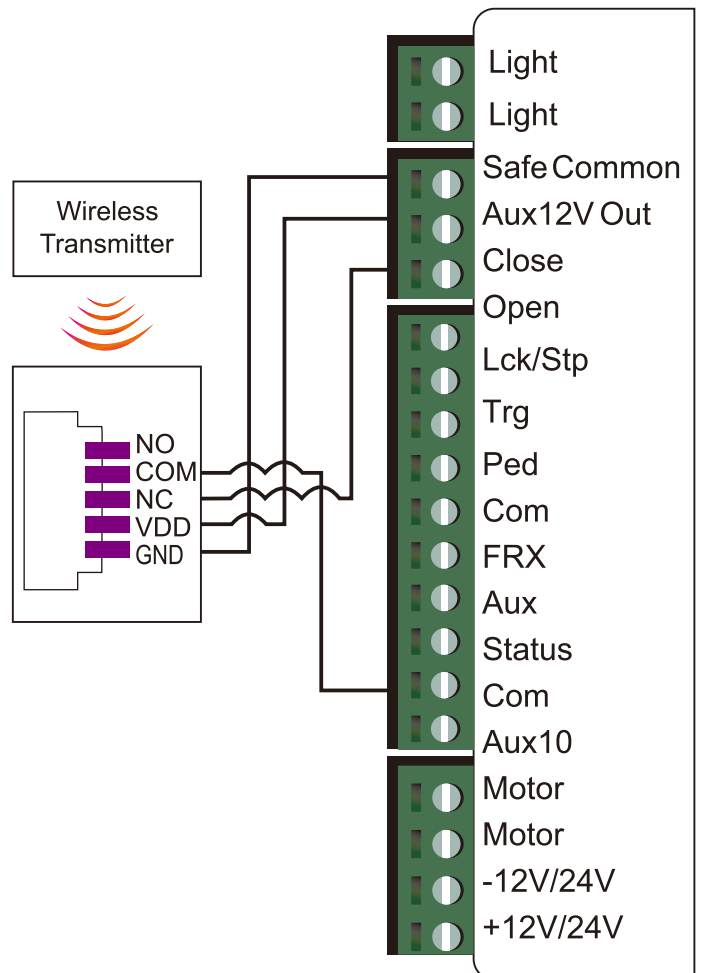
## Double sensor CLOSING control



## Infrared sensor OPENING control



## Infrared sensor CLOSING control



## Appearance Figure

