



Vehicle Access Control
Pedestrian Access Control
Safety & Security Equipment

T: +61 7 3205 1123

www.rotech.com.au

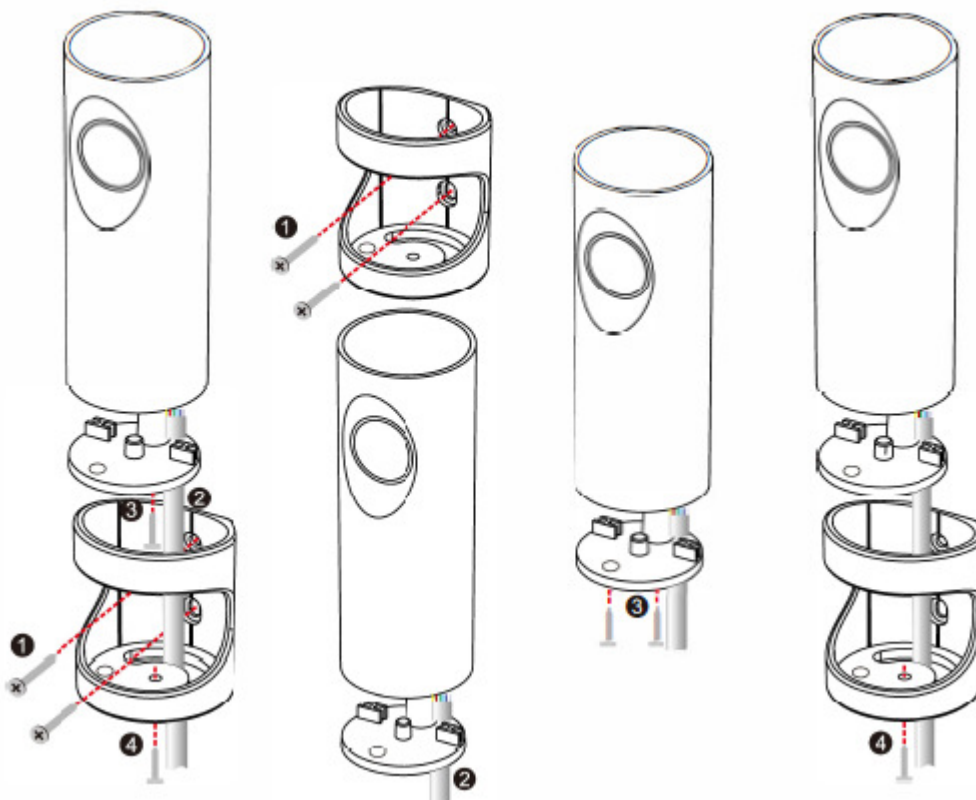
e: info@rotech.com.au

SafePass I 20R 180° Adjustable Wired PE BEAM



Installation: (mm)

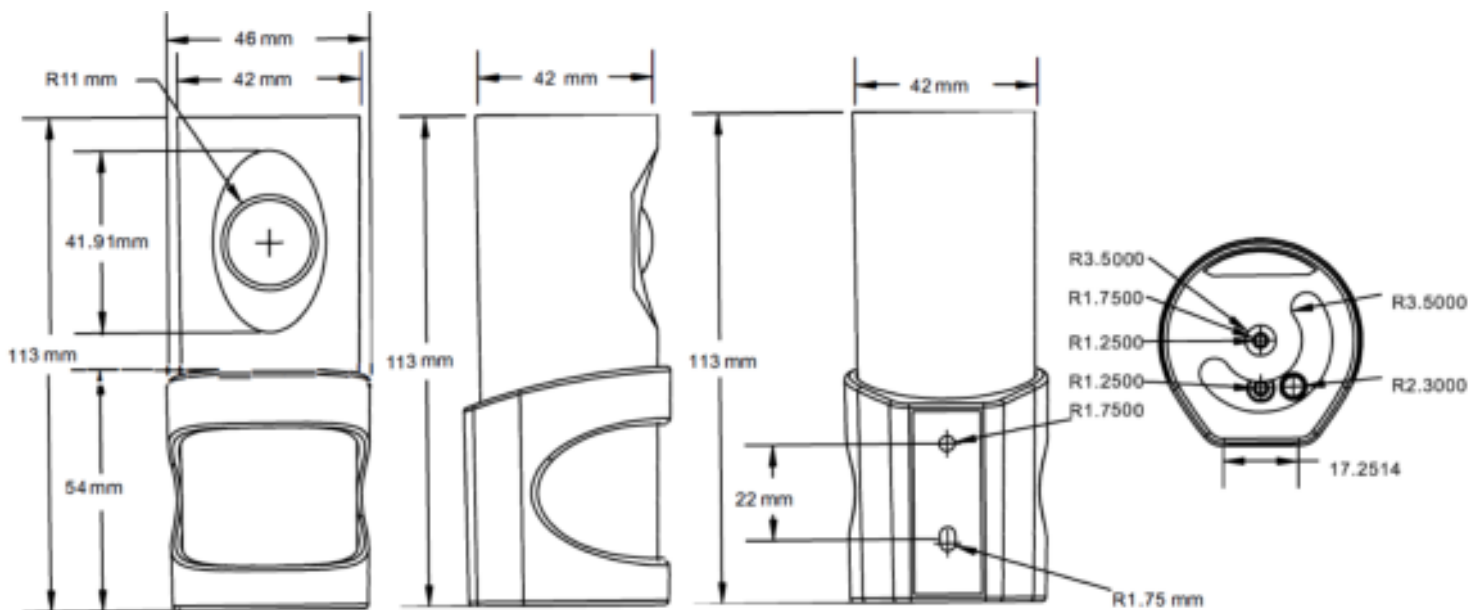
1. Transmitter and Receiver fixed base horizontally aligned, fixed to wall with 3*25 screws;
2. The connecting wire passes through the infrared bottom cover;
3. Lock the infrared base cover with 3*8 screws;
4. Adjust the transmitter and receiver angle, then fix the cover with screws 3*8.



Technical Parameters:

Power supply	12-24VAC/VDC
Maximum range up	20 meters (indoor or outdoor)
Operating temperature	-10°C - +60°C
Max TX working current	25mA
Max. RX working current	35mA
Max. Relay contact	(125VAC, 60VDC) Max
Output Contact	Fail-safe, N/C and N/O, potential free contact
Output Contact Rating	3A@ 30V DC Non-inductive
Degree of Protection	IP66
Size	113*46.79* 47.72 mm
Housing Material	PC(UV)

Dimensions:



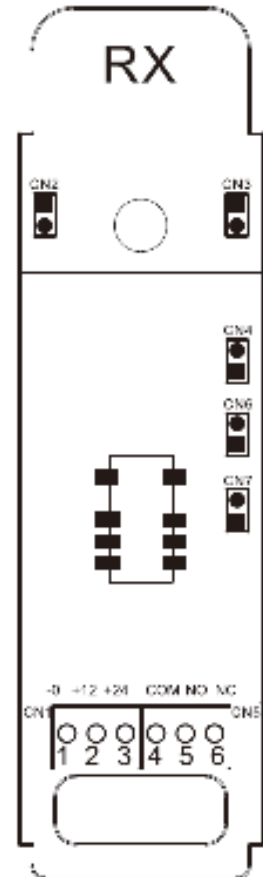
Transmitter Connection:

Receiver Connection:



TX-NO.	Port	Colour	Function
1	-0	Black	GND
2	+12	Red	12V Positive Power
3	+24	Green	24V Positive Power

TX-NO.	Port	Colour	Function
1	-0	Black	GND
2	+12	Red	12V Positive Power
3	+24	Green	24V Positive Power
4	COM	White	Relay COM
5	NO	Yellow	Relay NO
6	NC	Brown	Relay NC



Receiver Jumper:

Jumper	Point	Function
Cn6		Relay normal output
Cn7		
Cn6		Relay reverse output
Cn7		

