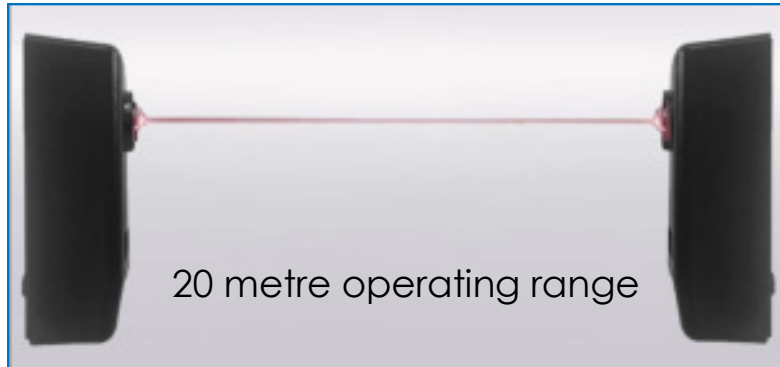


SafePass I 20 Wired PE Beam

12/24V Infrared PE Safety Beam



The I 20 PE Safety Beam consists of a transmitter and receiver unit mounted on opposite sides of the entrance.

The transmitter sends a modulated infra red beam to the receiver. When the beam is interrupted the receiver relay gives a signal to stop or open the door or gate.

The contacts of the relay are potential free and can be wired as normally opened or normally closed.

The beams are self aligning up to 5 metres and can operate up to 20 metres. They are housed in an IP65 ABS waterproof enclosure.

The I 20 infrared gate safety beam provides a convenient and safe gate automation system for even the most challenging of installation.

Easy set up, great design and a 20 metre range makes the I 20 PE safety beams a pleasure to work with.

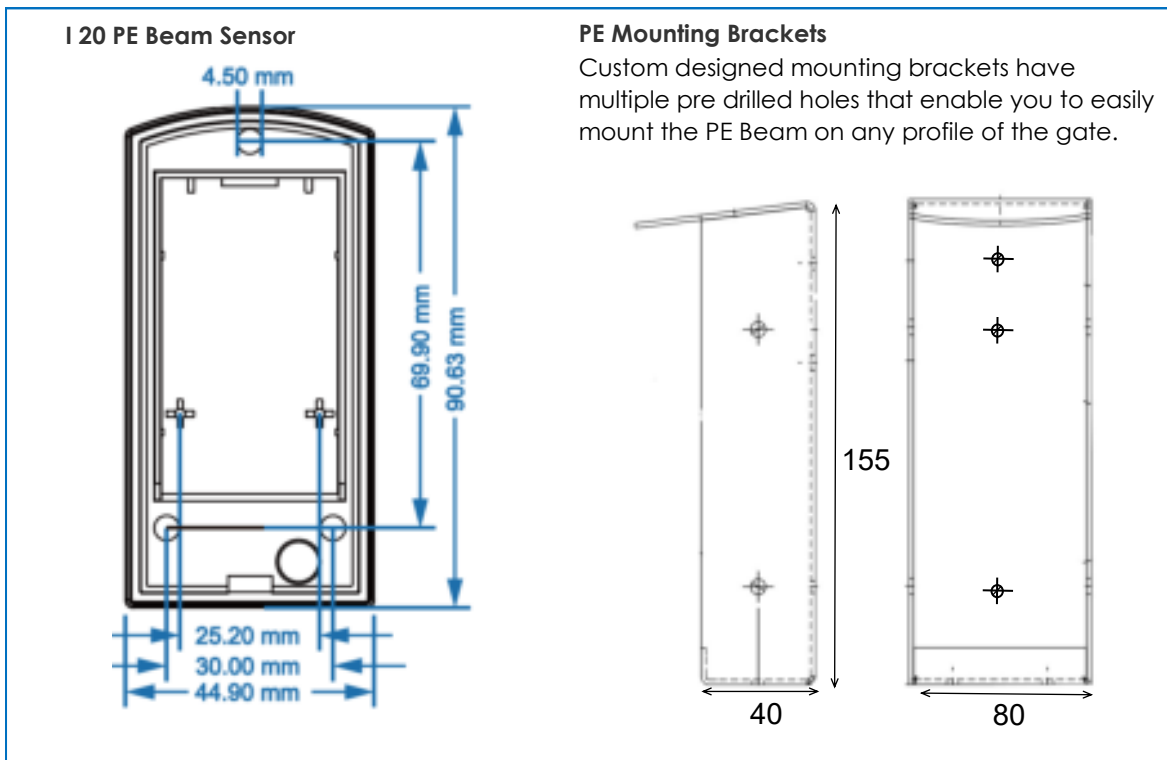
SAFEPASS I 20 PE Safety Beam features:

- 20 meters operating range - ideal for almost any entrance gate
- Fully ant proof and weather-resistant enclosure for greater reliability
- Quick, easy installation with built-in laser beam alignment system

Technical Specifications

Specification	I 20 PE Beam
Transmitter & Receiver	12-24 Vac/dc
Maximum Range	Up to 20 meters (indoor or outdoor)
Max Relay Contact	Max 500mA 48Vac/dc
Max TX working Current	25mA
Max RX Working Current	25mA
Operating Temperature	-10°C - +60°C
Operating Humidity	0 - 90° Non-condensing
Degree of Protection	IP65 (when seal fitted)
Size	Height 90.63mm Width 44.90 Depth 25mm

Dimensions (mm)



Rotech supply all forms of door and gate automation

Vehicle Access Control

- Booms Gates
- Sliding Gates
- Swing Gates
- Industrial Door Openers
- Solar Powered Gate Openers

Pedestrian Access Control

- Full Height Turnstiles
- Waist Height Turnstiles
- Supermarket Gates/Turnstiles
- Wheelchair Access Gates
- Rapid Access Gates

Fast | Safe | Secure

For more information: t: +61 07 3205 1123 | www.rotech.com.au | e: info@rotech.com.au

V0422