



Hygienic Touchless & Wireless Door Activation Switch

Active Infrared Technology – IP65

HYGIENIC

Touch-free door activation at distances from 1-15cm prevents potential virus transmission caused by conventional door opening methods.

WIRELESS

Install in conjunction with our WR-24 receiver for a wireless, construction free installation.

VERSATILE

Two faceplate stickers included for increased installation flexibility.

LONG LIFE

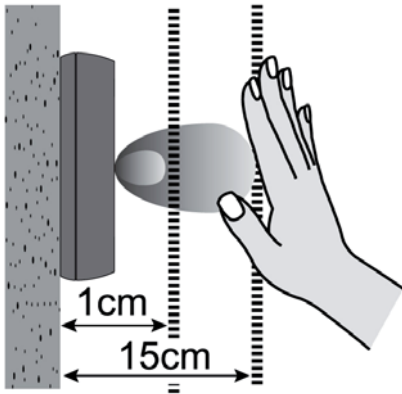
Battery life of approximately 12 months based on 500 usages per day.



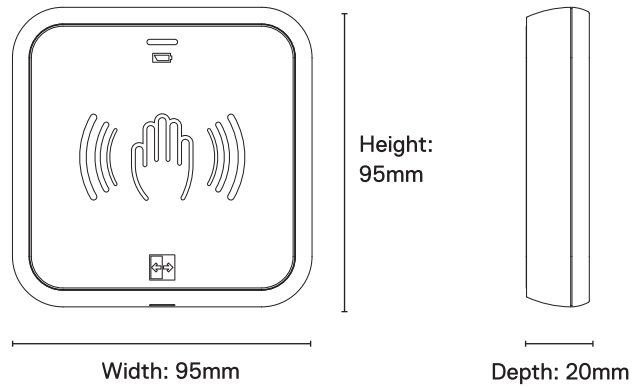
AerWave

Activation

Detection Range



Switch Size

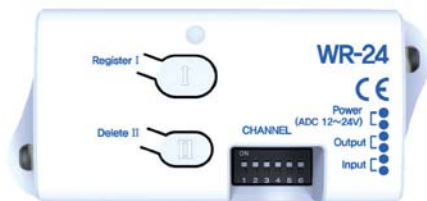


Technical Specifications

Power supply	DC3V
Technology	Infrared - Reflective
Detection range / method	1-15cm \pm 5cm / LED or BUZZER
Detecting target	Hand or Object (Touchless) *Detecting distance varies depending on the colour of the object
Wireless transmission distance	Up to 10m (2m or less when attached a metal structure)
Response time	<1 sec.
Battery life	Approx. 12 months (500 usages per day)
Current consumption	<0.5mWh
Operating temp / humidity	-20°C to 50°C / 0-90%
IP rating	IP65
Dimensions	95 x 95 x 20mm

Associated Products

WR-24 Receiver



AerWave in Action

