



Vehicle Access Control
Pedestrian Access Control
Safety & Security Equipment

T: +61 7 3205 1123

www.rotech.com.au

e: info@rotech.com.au

SENTINEL H23 SWING GATE

Mechanical Installation Instructions (0717)






THIS BOOKLET IS INTENDED SOLELY FOR PROFESSIONALLY QUALIFIED INSTALLERS

THIS INSTALLATION AND MAINTENANCE BOOKLET IS AN INTEGRAL PART OF THE PRODUCT AND MUST BE GIVEN TO THE USER.

KEEP THIS INSTALLATION AND MAINTENANCE BOOKLET TOGETHER WITH ALL THE INFORMATIVE MATERIAL

SYMBOLS USED IN THE BOOKLET


-  Referred to information that must be read for your own safety and that of others and to avoid damage to property.
-  Referred to recommendations for recycling

 **FOR YOUR SAFETY:** Carefully read the recommendations and warnings contained in this booklet since they give important information regarding safety of use and maintenance, regardless of whether you have previous experience with the same model or not,

PLEASE DO NOT HESITATE TO GET IN TOUCH WITH ROGER TECHNOLOGY FOR FURTHER EXPLANATIONS OR ADVICE

PURCHASED MODEL: This installation and maintenance booklet describes all the available models of the product. You may therefore find some information regarding a variation that is not available on the model you have purchased.


IMPORTANT GENERAL RECOMMENDATIONS AND OBLIGATIONS FOR THE INSTALLER

 Caution: only professionally qualified technicians must carry out installation, electrical connections, adjustments and maintenance on the system. Incorrect installation or misuse of the product could lead to severe injury to persons or serious damage to property.


END USE


 This product must only be used for the purpose for which it has been designed. Any other use is to be considered improper and therefore dangerous. The manufacturer cannot be held liable for any injury or damage caused by inappropriate, incorrect or unreasonable use.

ALTERATIONS


 Caution: do not alter or replace product parts. It could be highly dangerous and cause injury to persons and damage to property. Any alteration or replacement of parts made on this product relieves the manufacturer of all and any liability for resulting damage or injury.

CONNECTION TO THE MAINS ELECTRICITY SUPPLY

 Caution: before connecting to the mains electricity supply, check and proceed as follows:

- 1) always ensure there is a residual current circuit breaker with 0.03 A threshold installed between the equipment and the mains power outlet;
- 2) install a suitable double-pole linked switch having a contact separation of at least 3 mm in both poles with overload and short circuit protection and dedicated to the automation;
- 3) the yellow-green earth wire must be connected to the terminal marked with the symbol 


 Caution: the safety of this equipment is only guaranteed when it is effectively earthed in conformity with current safety standards and regulations

 This fundamental safety requirement must be checked; if in doubt, check the earthing system

 Caution: connect the metal framework of the gate/door to the earthing system


 The manufacturer cannot be held liable for any damage or injury caused by failure to earth the installation

 Caution: do not work in wet or damp environments without having taken suitable precautions against electric shock


 Caution: always cut off the power supply before carrying out any adjustment, maintenance or cleaning


 Caution: do not install the equipment in an explosive atmosphere; the presence of flammable gases or fumes is a safety hazard

 Caution: only use original Roger Technology parts when required during maintenance


 Caution: ensure that all the connections have been made, the efficiency of the safety devices checked and the thrust force set to minimum before the automation is put into normal use.

PRELIMINARY OPERATIONS: Before connecting the equipment to the power supply, ensure that the data stamped on the rating plate correspond to those of the mains electricity supply and that the model conforms to the size and weight of the gate

 Caution: this equipment may exert very high forces that could be a source of danger


 Caution: before carrying out the installation, carefully check that the gate, post, guides and gate stops for open and close positions are robust and firm and that manually-operated movements are smooth and regular

RISK ANALYSIS


 Caution: the installer must analyse the risks that can be present with a gate/door that is automated or to be automated and must find solutions to eliminate each and every hazard


FINAL CHECKS: Check correct operation of the safety devices and the limit microswitches, check that the thrust force is within the limits recommended by current regulations and check that the safety stops for the open and close positions are firmly fixed

GATE/DOOR RATING PLATE: Clearly indicate on the gate/door that it is automatic and remote controlled


 **PACKAGING:** Place the pack according to the arrows on the packaging and then remove the packaging. Check that the equipment is intact and undamaged; if in doubt do not use the equipment and contact only professionally qualified persons

 Caution: the packaging (plastic bags, polystyrene foam, nails, cardboard boxes, etc.) must not be left within reach of children since it is a potential source of danger

 Dispose of or recycle the packaging in accordance with current applicable legislation

 **DEMOLITION:** There are no particular risks from the automation system itself; if possible recycle the various parts separately (aluminium, iron, electrical parts, etc.)

SPECIAL RECOMMENDATIONS FOR THE USER

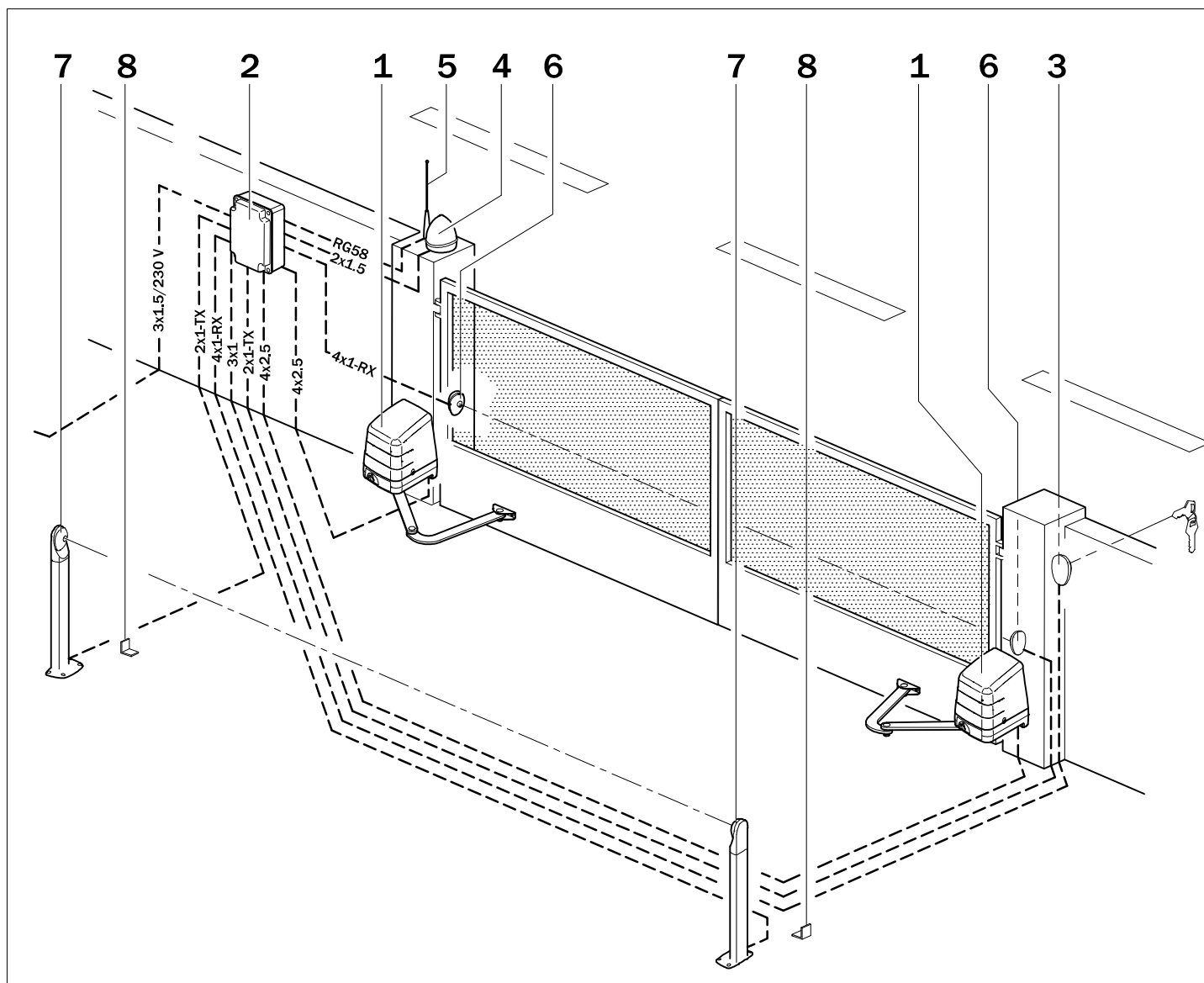
 Caution: the installer must give the end user all the automation system operating instructions and warnings and in particular those concerning the emergency override for manual opening

 Caution: the installer must provide a set of special warnings for the user (see user guide) and if necessary display them or have them displayed in a suitable place

Maximum Size and Weight	
Leaf Size (Metres)	Max Weight (Kg)
1.5	250
2.0	215
2.8	150

STANDARD SYSTEM BH23 RANGE

- | | |
|---------------------------|----------------------------------|
| 1) <i>Automatism BH23</i> | 5) <i>Antenna</i> |
| 2) <i>Control unit</i> | 6) <i>External photocell</i> |
| 3) <i>Key selector</i> | 7) <i>Internal photocell</i> |
| 4) <i>Flashing light</i> | 8) <i>Stop for open position</i> |



INSTRUCTIONS BRUSHLESS MOTOR FOR SWING GATES SERIES BH23

GB PRELIMINARY CHECKS PRIOR TO INSTALLATION

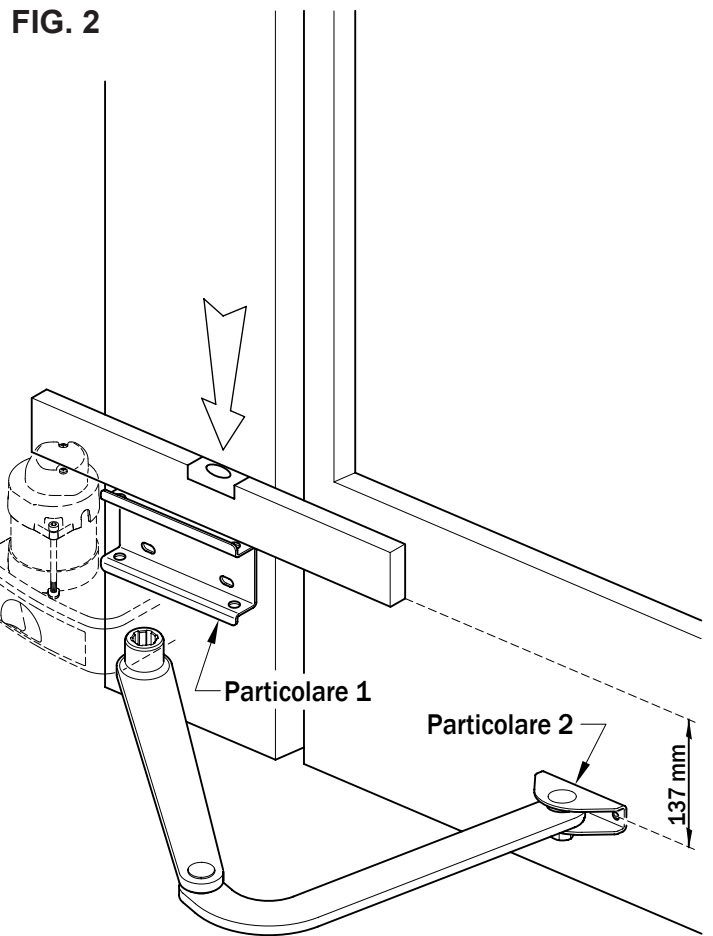
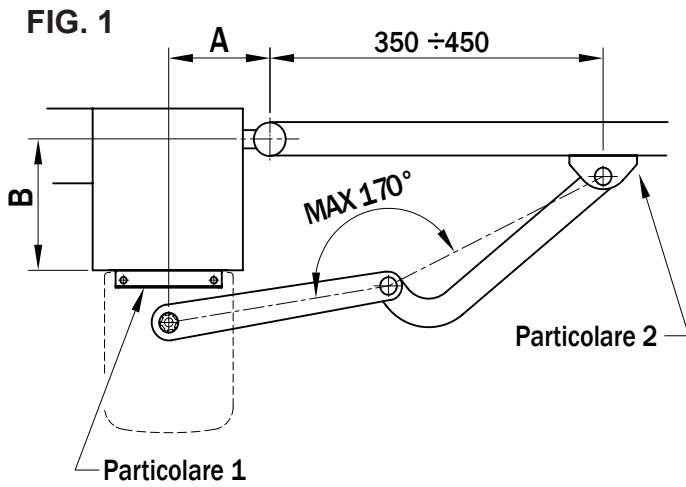
Check that the gate has the necessary requirements to be automated

- 1- The gate structure must be solid and suitable
- 2- The hinges must be in good condition and well greased
- 3- Manual movement must be smooth and regular without sticking at any point
- 4- Gate stops for the open and close positions must always be installed firmly fixed to the ground

GB INSTRUCTIONS FOR POSITIONING AND MOUNTING THE BRACKETS FIG.1 AND 2

Take the measurements A and B for mounting the main bracket (**part 1**) and mark on the gatepost, also in relation to the maximum required open angle, as given in **table 1**. With the gate closed, mark the position for fixing the front bracket (**part 2**), preferably at the centre of the gate on a solid crosspiece. If there are no problems, proceed with fixing the brackets, paying particular attention that they are level.

⚠ Caution: if the fixing is done by electric welding, do not weld the brackets with the actuator mounted since the welding current could damage the actuator.



TAB. 1

QUOTA "A" mm	QUOTA "B" mm	ANGOLO APERTURA
130	50	90°
130	80	90°
130	100	90°
140	120	90°
150	50	95°
160	160	95°
180	180	95°
180	200	100°
200	200	100°
230	200	105°
250	250	105°
300	250	110°

GB **INSTALLATION OF THE ACTUATOR** Proceed with mounting the actuator as shown in **fig. 3**

Caution: the actuator may be installed on the right or the left in the position shown in **fig.3**.

Position the actuator inside of the main bracket **(1)** insert the 2 bolts **(2)** and secure. Assemble and install the articulated arms as shown in **fig.4**.

FIG. 3

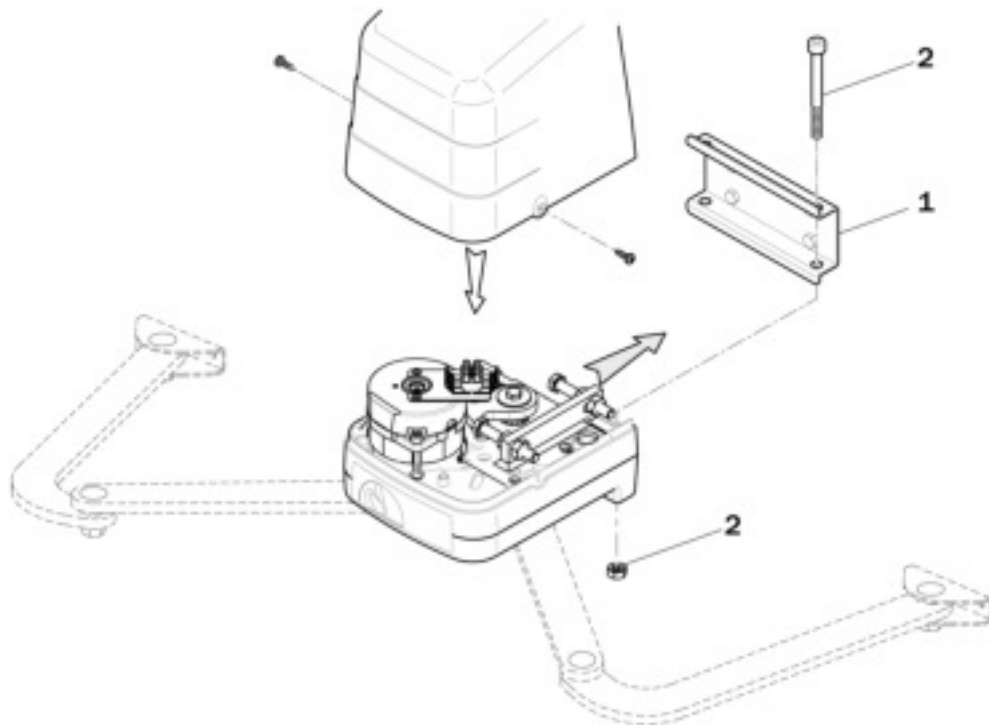
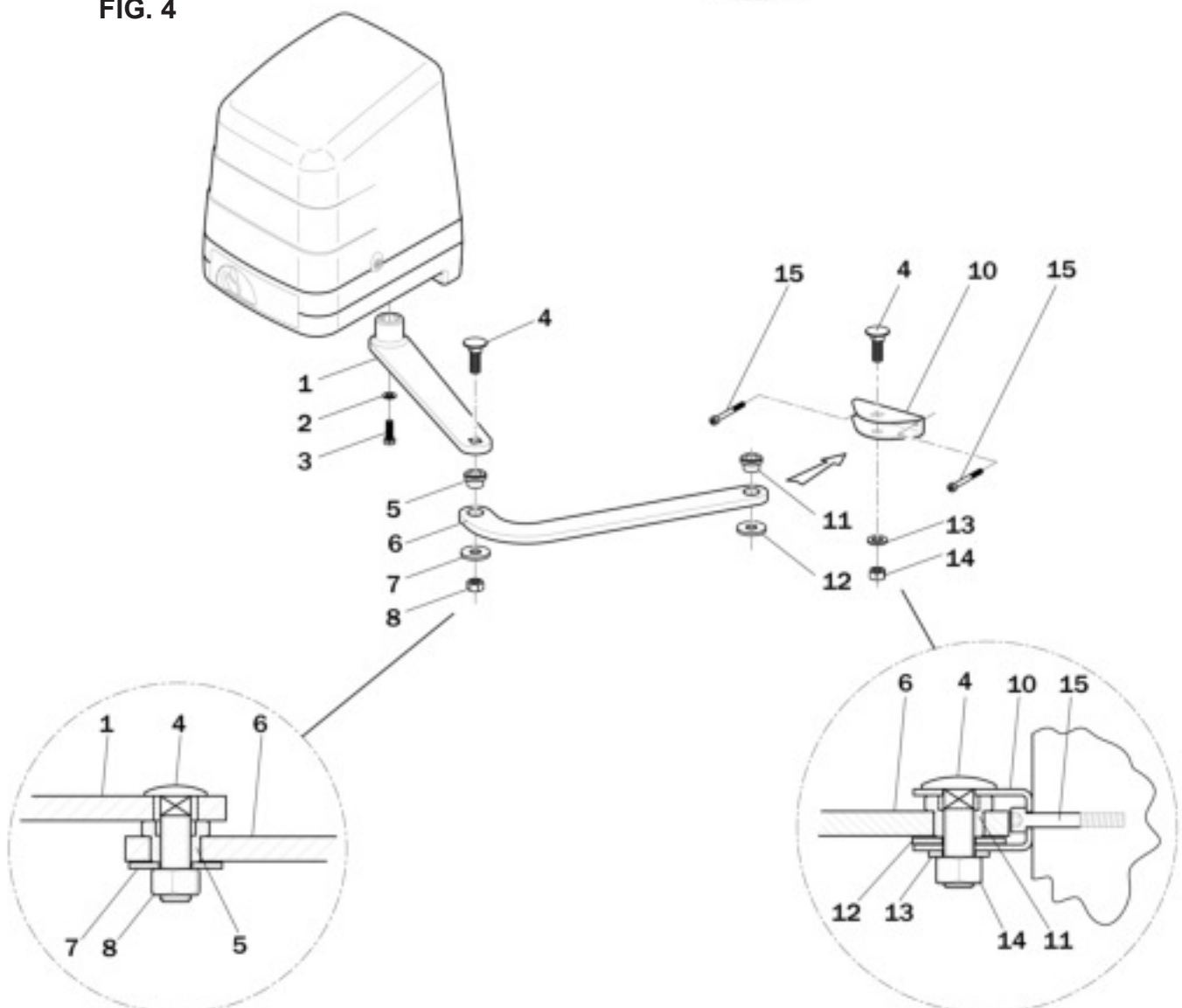
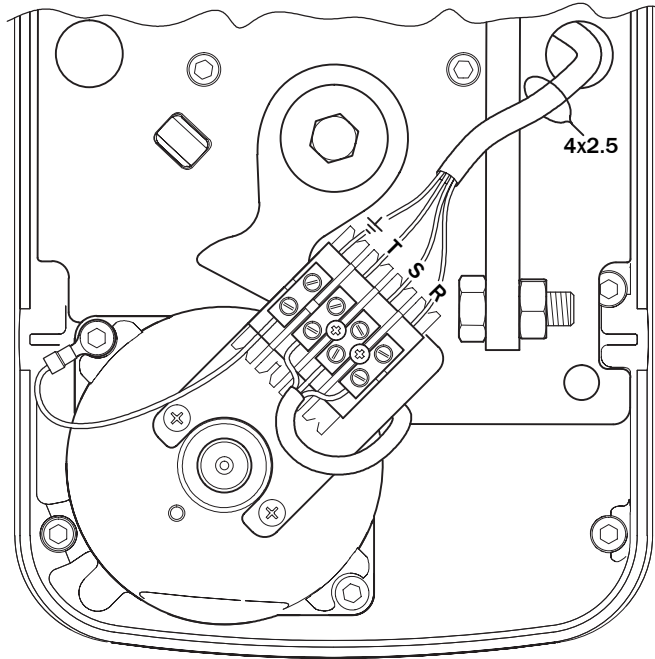


FIG. 4



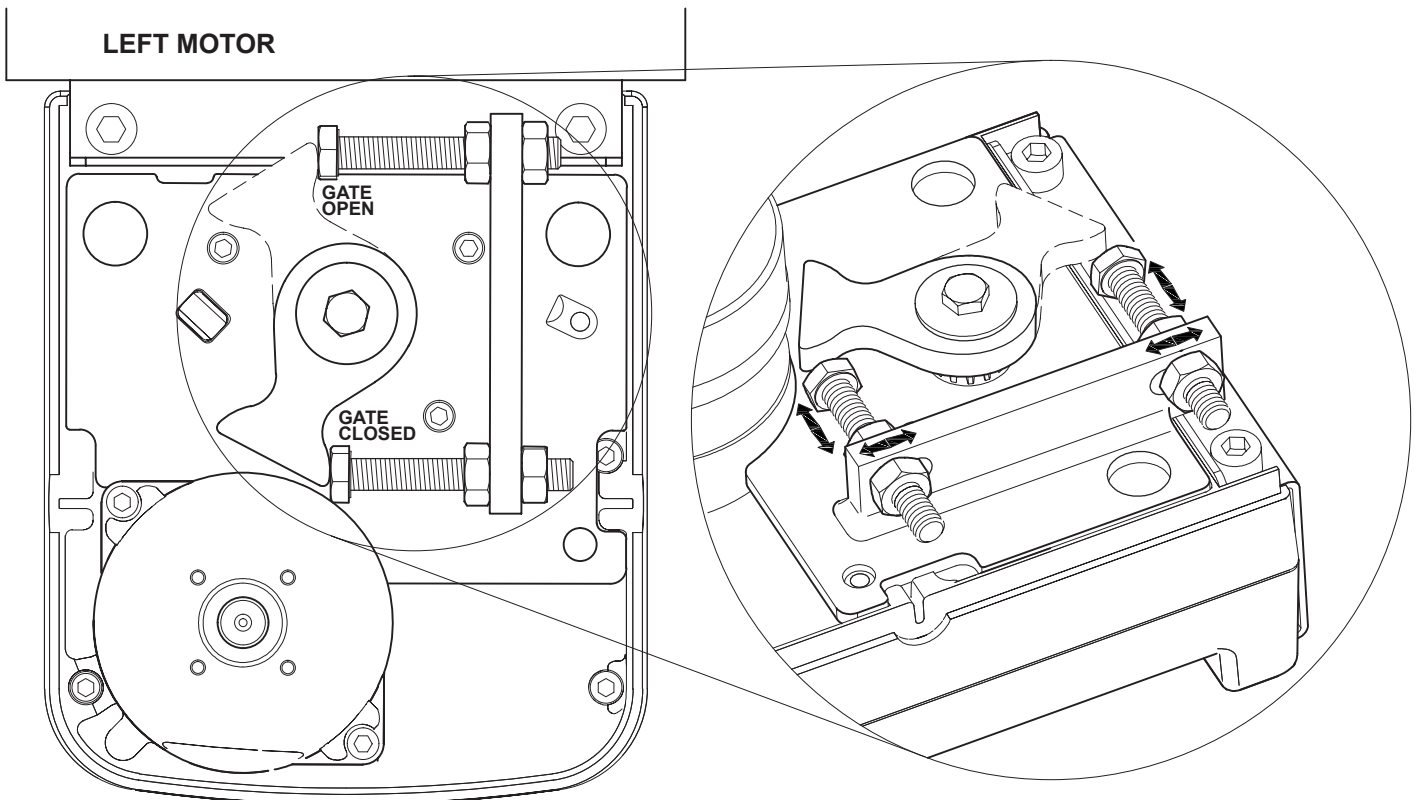
ELECTRICAL CONNECTIONS

FIG. 1



GATE STOPS FOR OPEN AND CLOSE POSITIONS SERIES BH23

FIG. 2





DECLARATION OF CONFORMITY

The undersigned, representing the following manufacturer

Roger Technology

Via Botticelli 8

31021 Bonisiolo di Mogliano V.to (TV)

DECLARES that the equipment described below:

Description: Swing gates automation

Model: H23

Is in conformity with the legislative provisions that transpose the following directives:

- Directive **89/336/EEC** (EMC Directive) and subsequent amendments
- Directive **73/23/EEC** (Low Voltage Directive) and subsequent amendments

And has been designed and manufactured to all the following standards or technical specifications

EN 61000-6-3

EN 61000-6-2

EN 60335-1

EN 60335-2-103

Last two figures of the year in which the CE 06 mark was affixed

Place: Mogliano V.to

Date: 02-03-2006

Signature: 