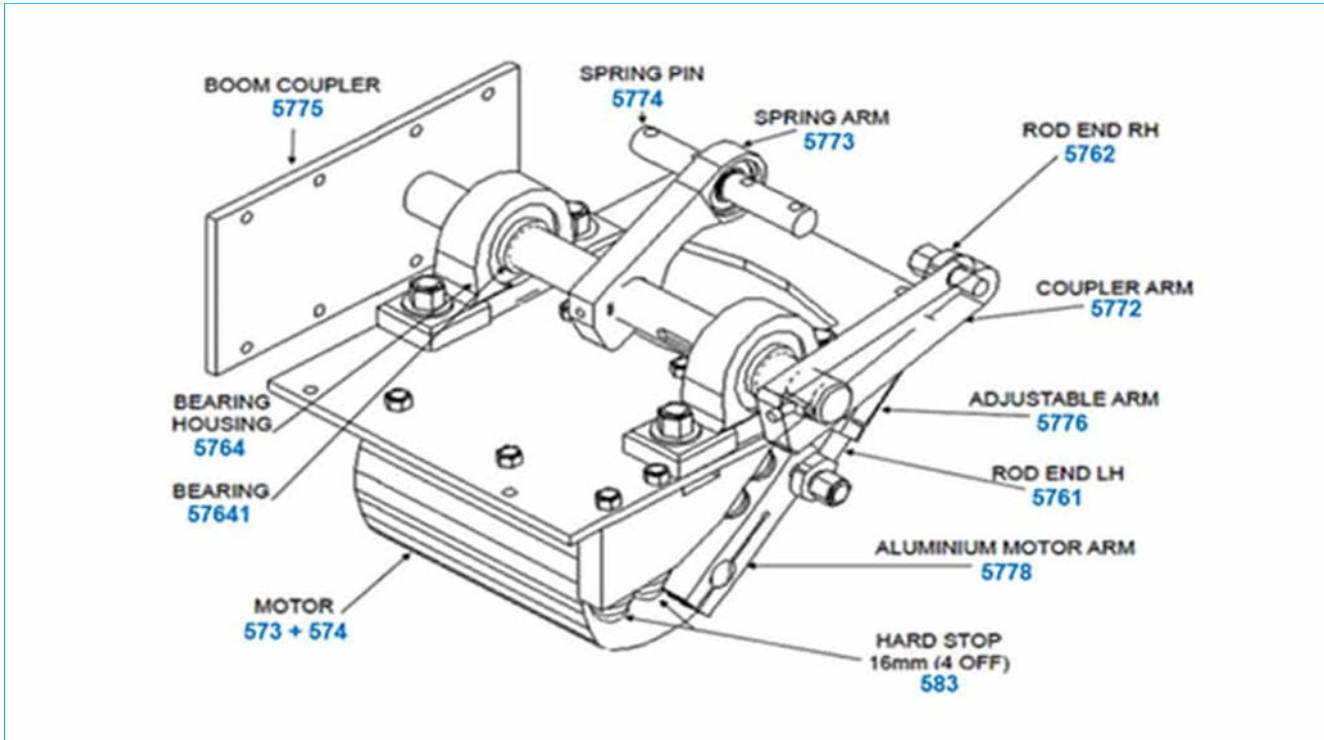


SPARE PARTS LIST | Sentinel PL Series Automatic Boom Gate



**PLEASE CONTACT US FOR PRICING ON THESE ITEMS
 CALL +64 (07) 3205 1123 OR EMAIL US INFO@ROTECH.COM.AU**

Stock Code	Description
2414	33. Door Key
564	3m Boom Pole
565	4.5m Boom Pole
566	6m Boom Pole
5776	Adjustable Arm
5778	Aluminum Motor Arm
5075	Articulated arm for low ceiling installations (supply only)
5208	Boom Clamp & SS Bolts
5775	Boom Coupler
5772	Coupler Arm
52111	Danger Decals
5363	Folding Leg Only – no springs
580	HD Springs for Poles with Folding Leg/ Fence
52119	Hold Down Kit – 6m boom gates
52118	Hold Down Kit -3/4.5m boom gates
52112	Keep Hands Clear Decal
52113	Mild Steel Cabinet Only – no cover
52011	Mild Steel Cover Only – White

Stock Code	Description
52117	PL Black Hinges
52115	PL Lock & Latch (
52116	PL Spare Key (Each)
5639	Red Decals
5761	Rod End LH
5762	Rod End RH
5831	Rubber Hard Stop
579	Standard springs (price shown is for each spring)
573	TM 10 Motor (3 4.5m boom gates)
574	TM 5.5 Motor (6m boom gates)

Rotech supply all forms of door and gate automation

Vehicle Access Control

- Booms Gates
- Sliding Gates
- Swing Gates
- Industrial Door Openers
- Solar Powered Gate Openers

Pedestrian Access Control

- Full Height Turnstiles
- Waist Height Turnstiles
- Supermarket Gates/Turnstiles
- Wheelchair Access Gates
- Rapid Access Gates

Fast | Safe | Secure